

# Universal Button



## PRODUCT OVERVIEW

This momentary button helps eliminate having to stock dozens of push buttons, and wasting precious time and money tracking down just the right button for a customer. It offers many options to provide just what a customer wants in one convenient package. Button is ready to be assembled out of box and is easily installed within minutes on site. Universal Button offers over 300 different combinations for the price of a standard one configuration button. The faceplate is constructed of cast aluminum metal, allowing it to take tough knocks in stride, and is slightly oversized to cover old plate installation marks. Button package includes: faceplate, three illuminated push buttons, five changeable button messages and ten changeable illuminated activation messages.

## HOW IT WORKS

The installer simply has to choose which lens cover, button insert and interchangeable message plate works best for the customers need, and easily snap them in place. This allows the button to be mounted in a matter of minutes instead of waiting weeks for a specific button to be ordered and delivered.

## KEY FEATURES

### General Information

- Momentary button offers many options to provide just what a customer wants in one convenient package.
- UL Listed to U.S. and Canadian safety standards.
- Offers over 300 different combinations.

### Design

- Single gang plate slightly oversized to cover old plate installation marks.
- Five inserts for the button included – EXIT, PUSH, PUSH TO EXIT, handicap symbol and blank.
- Three different lens covers included – red, green and blue.
- Ten colour coated message inserts in green, blue, yellow and white.
- Plate messages inscribed with EXIT, EMERGENCY and translucent blanks (allowing for custom labels).

### Construction

- Faceplate constructed of cast aluminum.
- Illuminated 12/24 volt LED button and illuminated message light kit.

### Installation

- Mounts to standard electrical handi box.
- Two sets of independent Form "C" contacts.
- Contacts rated at 10A, 1/2 HP, 125/250 VAC, 6A, 30V.

### Options

- Temperature: -40° to 85°C (-40° to 185°F).
- 100,000 operations.
- One year guarantee on electro mechanical and electronic components.

# Universal Button

## Dimensions and Technical Information

### MODELS AVAILABLE

<b>UB-1</b>	Universal Button
<b>UB-2</b>	2" Universal Button
<b>UB-1/LTUL*</b>	Universal Button with UL Latching Timer
<b>UB-2/LTUL*</b>	2" Universal Button with UL Latching Timer

#### Accessories:

LT-1	Latching/Timer Module
LT-1UL	UL Latching/Timer Module
UB-2LENS	2" Lens
UB-1CL-★	Custom Label applied to blank, changeable message plates (blue, green, white or yellow)
KIT-UB-1C	Contact Block
KIT-71100A-★★	Colour Match Back Box Kit (red, blue, green, white or yellow)
KIT-E10147	24 Volt LED, White (standard)
KIT-E10144	12 Volt LED, Red
KIT-E10140	12 Volt LED, Blue
KIT-E10142	12 Volt LED, Green
STI-6518	Bopper Stopper® Protective Cover

\*See LT-1 for complete latching/timer information

★B = blue, G = green, W = white, Y = yellow   ★★R = red, B = blue, G = green, W = white, Y = yellow

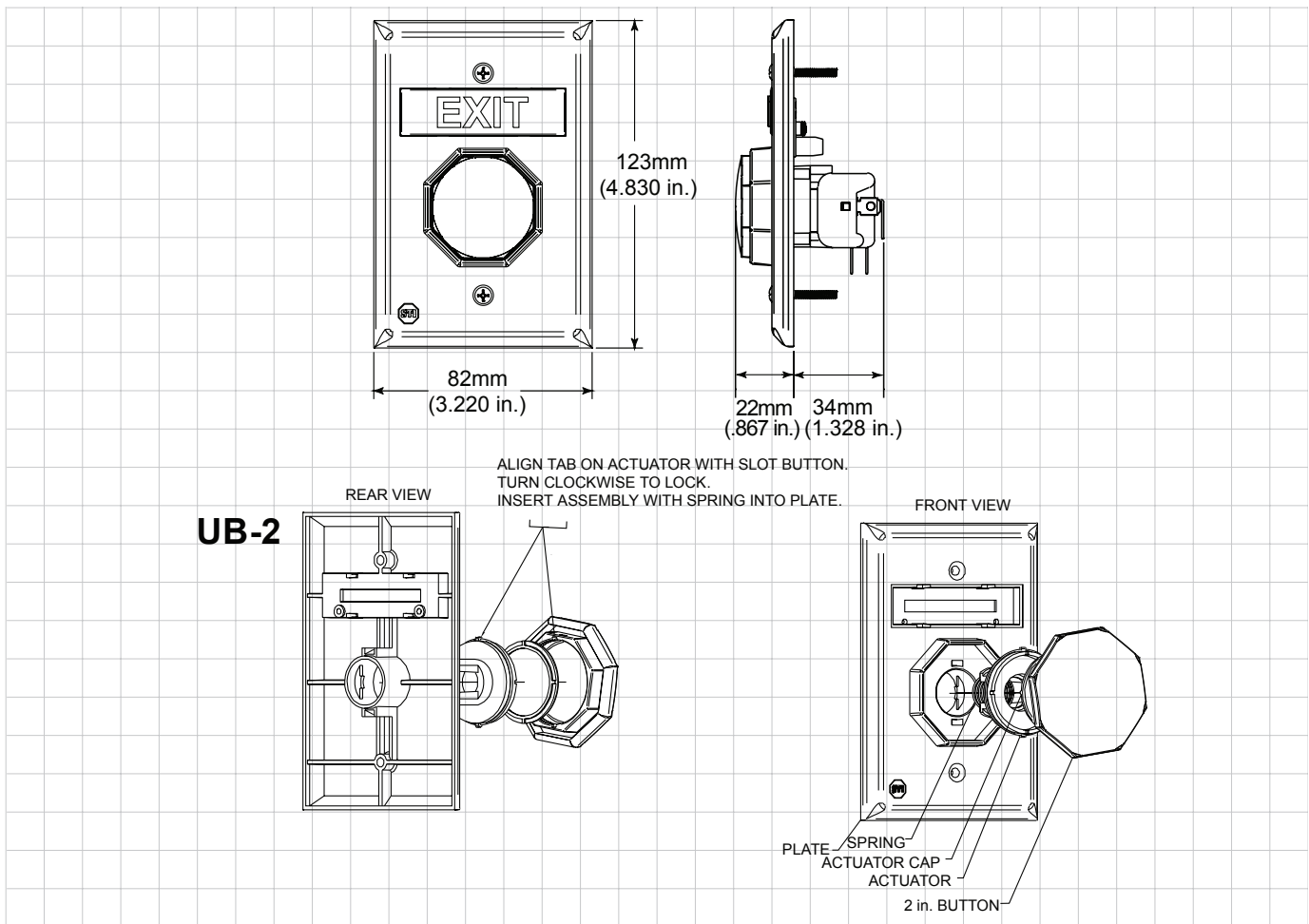
### APPROVALS & WARRANTY TESTING

It has been tested and approved or listed by:

- UL/cUL File S7255, Volume 2
- UL 2017
- UL 294 (models ending with LTUL)
- CSA C22.2 No. 205
- ADA for operation

#### WARRANTY

One year guarantee on electro mechanical and electronic components.



**Safety Technology International**

Taylor House  
34 Sherwood Road  
Bromsgrove  
Worcestershire  
B60 3DR, England

Tel: +44 (0)1527 520 999  
Fax: +44 (0)1527 501 999  
info@sti-emea.com  
www.sti-emea.com

2306 Airport Road  
Waterford, Michigan  
48327, USA

Tel: 248-673-9898  
Fax: 248-673-1246  
Toll-free: 0800-888-4784  
info@sti-usa.com  
www.sti-usa.com