



**Safety Technology
International, Inc.**

UB-1TF Universal Touch Free Button

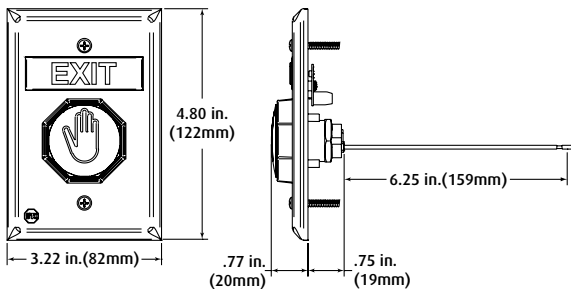


**NoTouch[®]
Technology**

We protect the things that protect you.[®]

NOTES

It is important to read, understand and follow all instructions provided with this product. It is the installer's responsibility to comply with NFPA 70 & 101, NEC, mounting specifications according to ADA and other applicable electrical codes. To avoid electrical shock, DO NOT attempt to install this product when power is on. ADA mounting compliance requires the operable part of the initiating device shall not be less than 3 1/2 ft. (1.1m) or greater than 4 1/2 ft. (1.37m) above finished floor surface. After installation and testing are complete, provide a copy of this manual to all personnel responsible for testing and maintenance of this product.



POWER

Switch:

Input: 12 VDC \pm 15%

Standby Power: 15 mA

Active: 25 mA

Operating temperature:

-4° to 158°F (-20° to 70°C)

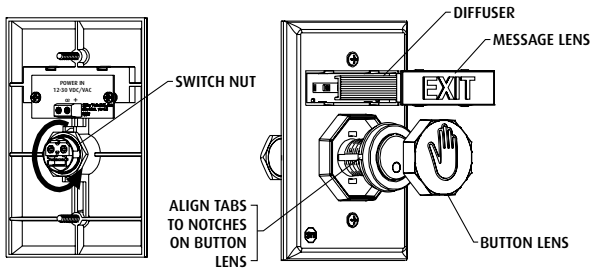
Message LED:

12-24 VDC

Form "C" contact rating:

30 VDC, 1A

1. TO CHANGE BUTTON COLOR AND ROUND MESSAGE

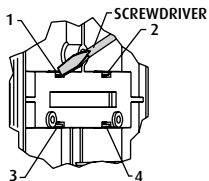
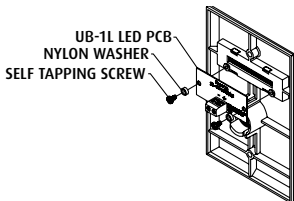


1. Choose button color. If same as existing, proceed to **2**.
2. a. Loosen nut on back of switch, and push switch through plate far enough to grasp button from back edge and remove button lens.
b. Push switch back into plate and tighten nut. Be careful not to over-tighten.
3. Select color lens. Align notches on button with tabs on switch and push until it snaps together.

2. CHANGE TOP MESSAGE

(Refer to notes on pg. 2 for "EMERGENCY" message use.)

1. Remove LED circuit board.
2. Remove current message by pushing in and down on tabs 1 and 2 with a small screwdriver. If necessary, also push in and down on tabs 3 and 4. Once message is loose, remove from the front of the plate.
3. Select new message and snap into place. Blank plates are included to create your own custom message.



3. ATTACH WIRE PLUG

Wire Color Code with power applied:

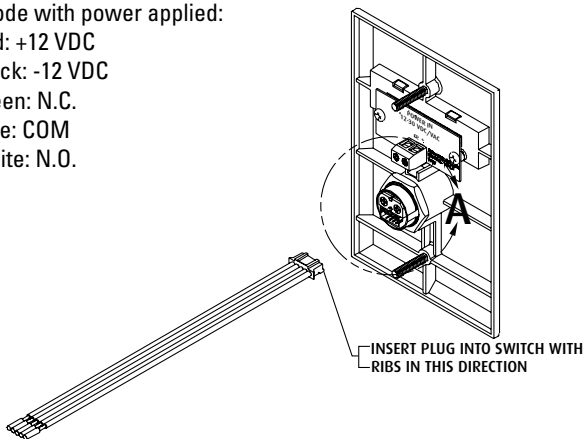
Red: +12 VDC

Black: -12 VDC

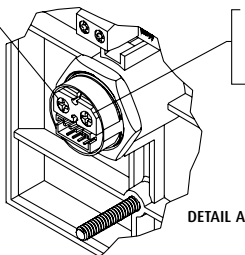
Green: N.C.

Blue: COM

White: N.O.



CONTACT LATCH TIME ADJUSTMENT:
CLOCKWISE - LONG
COUNTERCLOCKWISE - SHORT
RANGE: ~0.5 ~ 60 sec.

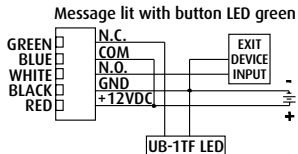
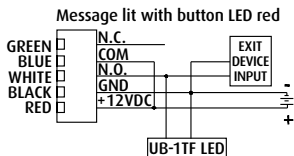


ACTIVATION RANGE ADJUSTMENT:
CLOCKWISE - CLOSE
COUNTERCLOCKWISE - FAR
RANGE: ~0.4 ~ 4 INCHES
~1 ~ 10 CM

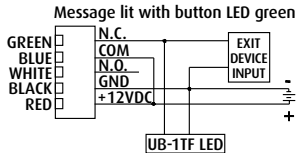
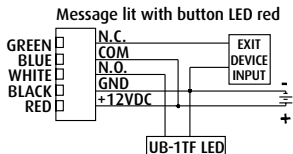
4. ATTACH POWER FOR MESSAGE LED (if desired)

WIRING DIAGRAMS (Color codes are shown with power applied and button LED red during wiring)

A. Normally Open Exit Device



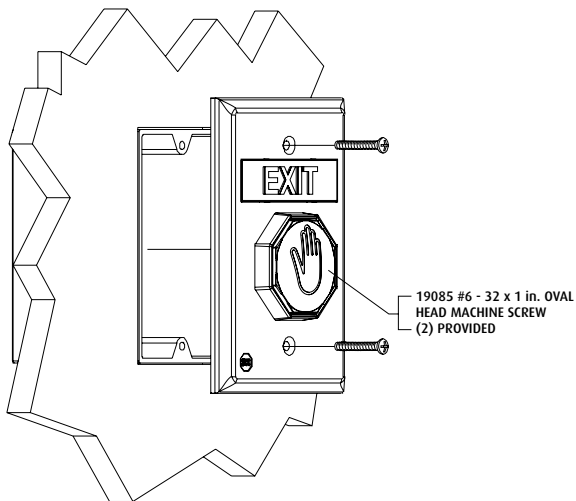
B. Normally Closed Exit Device



UB-1TF Wire Color Code

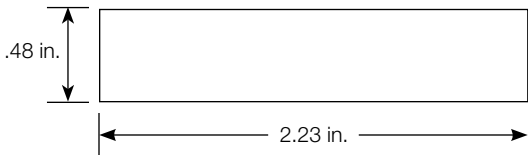
CONNECTOR WIRE COLOR	POWER OFF (SUPERVISORY)	POWER ON UNTRIGGERED	POWER ON TRIGGERED
RED	+12V	+12V	+12V
BLACK	-12V	-12V	-12V
GREEN	N.O.	N.C.	N.O.
BLUE	COM	COM	COM
WHITE	N.C.	N.O.	N.C.
LED color	None	Red	Green

5. MOUNT BUTTON ONTO ELECTRICAL BOX



6. CUSTOM LABELS

To create your own custom label, size to fit in .48h x 2.23w as shown below.
Also available online at: www.sti-usa.com/ublabel



ACCESSORIES

DESCRIPTION	PART #
COLOR MATCH BACKBOX KIT	SUB-71100A-COLOR (red, blue, green, white or yellow)
CUSTOM LABEL APPLIED TO BLANK MESSAGE PLATES	UB-1CL-COLOR (blue, green, white or yellow)
<u>24 VOLT LED</u>	
WHITE (STANDARD)	KIT-E10147
RED	KIT-E10145
BLUE	KIT-E10141
GREEN	KIT-E10143
<u>12 VOLT LED</u>	
RED	KIT-E10144
BLUE	KIT-E10140
GREEN	KIT-E10142
<u>COVERS</u>	
BOPPER STOPPER	STI-6518
UNIVERSAL STOPPER	STI-13000 Series
STOPPER II	STI-1100 Series
See website for complete cover details	

WARRANTY

Three year guarantee against breakage of polycarbonate in normal use (one year on electro mechanical and electronic components).

Electronic warranty form at www.sti-usa.com/wc14.



Safety Technology International

USA - Headquarters

2306 Airport Rd • Waterford, MI 48327
Phone: 248-673-9898 • Fax: 248-673-1246
info@sti-usa.com • www.sti-usa.com



European Office

Taylor House • 34 Sherwood Road • Bromsgrove
Worcestershire • B60 3DR • England
Tel: 44 (0) 1527 520 999 • Fax: 44 (0) 1527 501 999
E-mail: info@sti-emea.com • Web: www.sti-emea.com