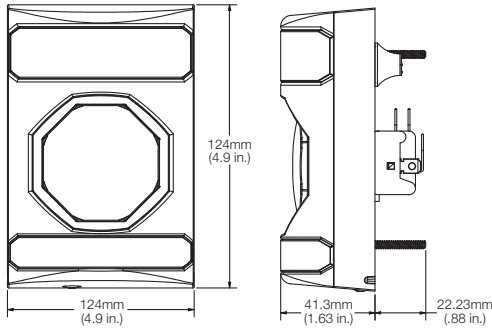


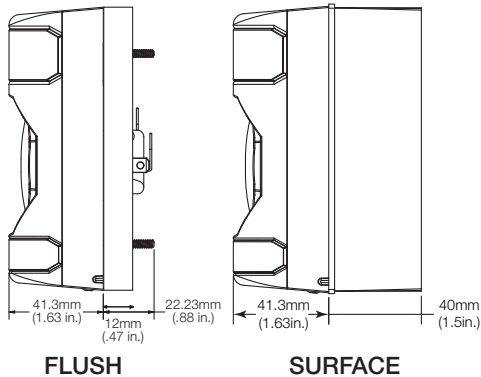


**DIMENSIONS**



**MOUNTING DIMENSIONS**

SS2xx6 - suitable for flush or surface installation  
SS2xx7 - suitable for surface installations ONLY



**Install or Remove Contact Block**  
**INSTALL**

To attach, align tabs (as shown) and gently snap top then bottom. Be sure to hear BOTH tabs snap into place. (Can be reversed if wiring comes from the bottom of the box.)

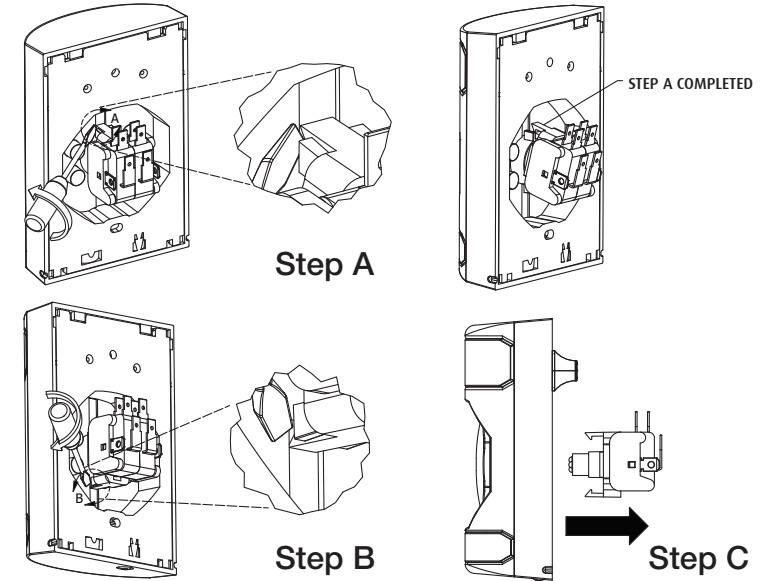
**REMOVE**

Repeat STEP A from the top and bottom tab before pulling on contact block.

**Step A:** Position small flat screwdriver blade under tab and gently rotate until tab disengages. The contact block will rotate a little. **DO NOT PULL YET.**

**Step B:** Repeat for opposite tab.

**Step C:** When both tabs are disengaged, pull the contact block straight off.



**SWITCH RATING**

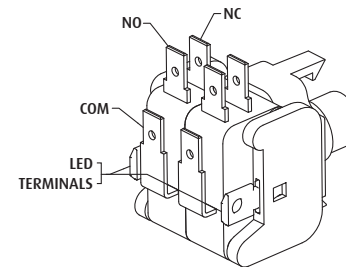
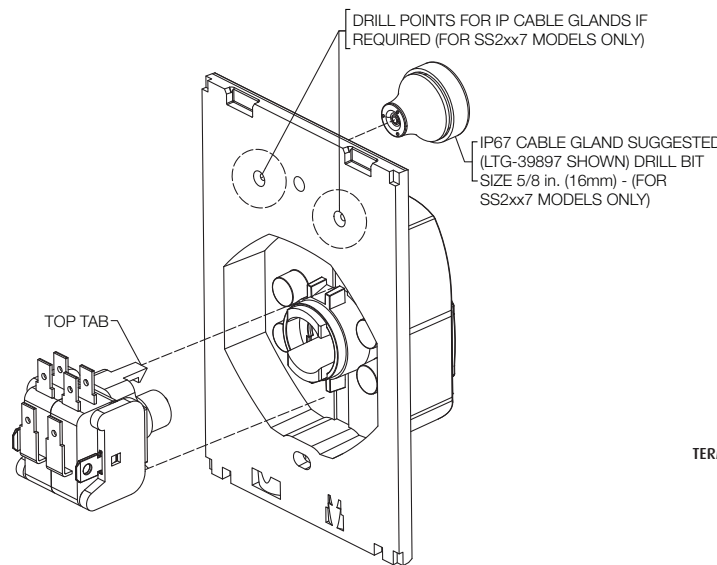
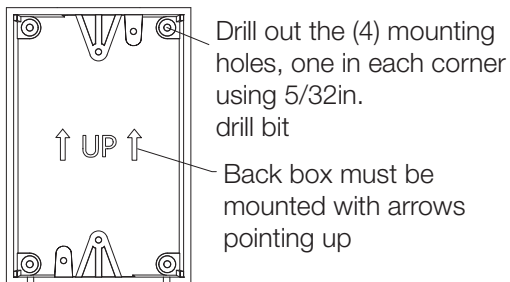
2 momentary independent Form "C" contacts, DPDT  
Rated at: 10A, 125/250VAC; 1/2 HP  
6A, 30 VDC

100, operations

Temperature SS2xx6 models: 0°C to 49°C (32°F to 120°F)  
Temperature SS2xx7 models: -35°C to 66°C (-31°F to 150°F)

**NOTE**

LED connection is polarity sensitive. If LED does not light, switch positive and negative wiring or remove LED and rotate 180°. 24 volt is included and will operate on 12 volts; however not as bright. 12 volt LED's are also available.



**INSTALLATION OF SS2xx6 & SS2xx7 SERIES STOPPER® STATION**

All specifications and information shown were current as of publication, and are subject to change without notice



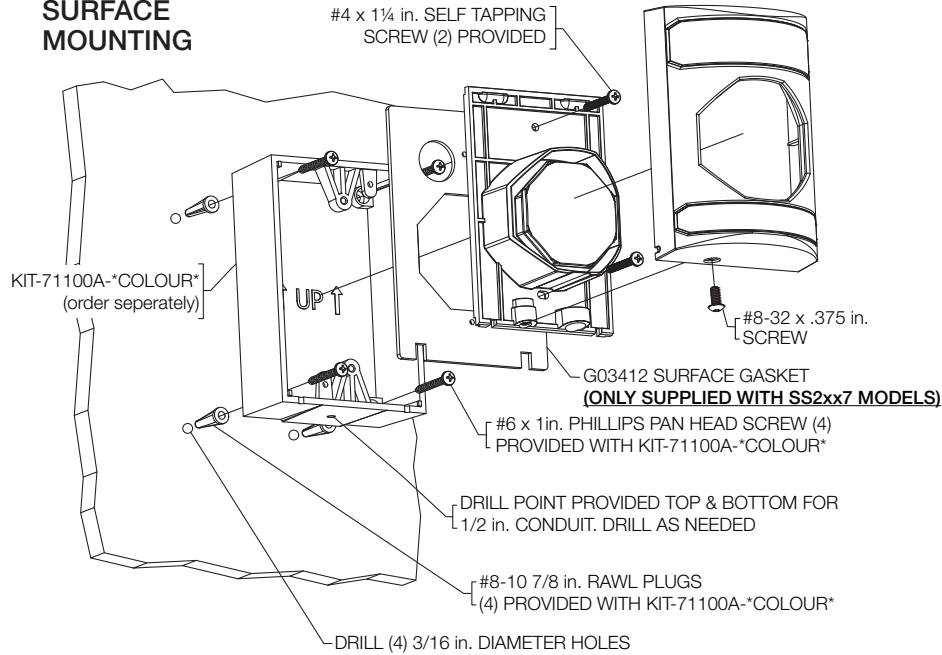


# Safety Technology International

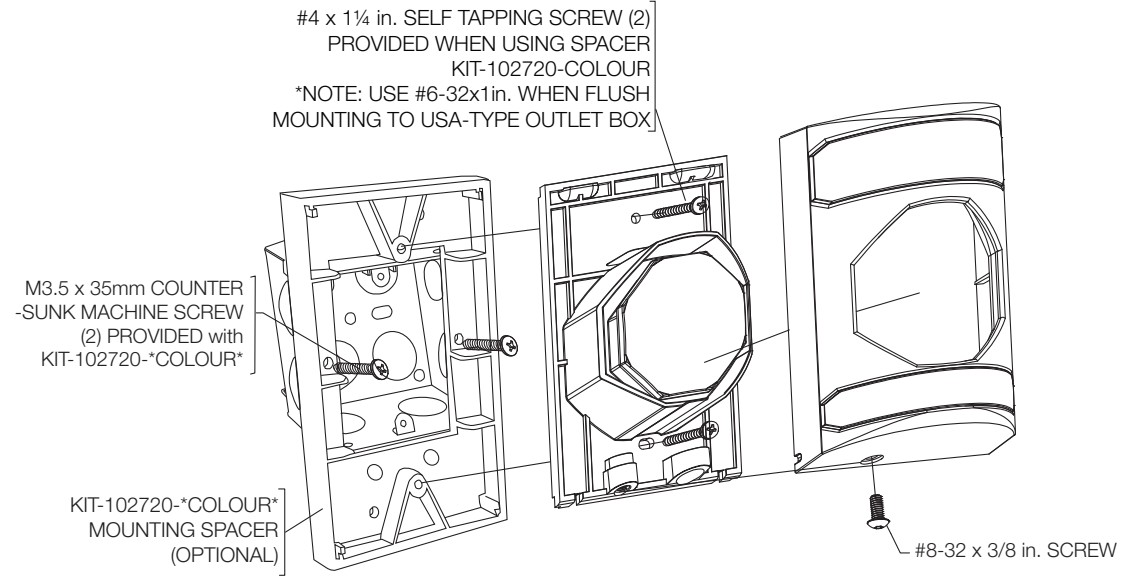
European Office  
 Taylor House • 34 Sherwood Road • Bromsgrove  
 Worcestershire • B60 3DR • England  
 Tel: 44 (0) 1527 520 999 Fax: 44 (0) 1527 501 999  
 E-mail: info@sti-emea.com • Web: www.sti-emea.com

USA - Headquarters  
 2306 Airport Road • Waterford, Michigan 48327-1209  
 Phone: 248-673-9898 • Fax: 248-673-1246  
 E-mail: info@sti-usa.com • Web: www.sti-usa.com

## SURFACE MOUNTING



## FLUSH MOUNTING SS2xx6 ONLY



### Safety Notice to Installers and Users

This push button has been tested according to UL2017. It is important to read, understand and follow all instructions provided with this product. Non-fire alarm initiating devices are listed in UL category UEHX. It is the installer's responsibility to comply with NEC and Canadian electrical codes. To avoid electrical shock, DO NOT attempt to install this product when power is on. To avoid possible confusion with fire alarm initiating device, do not mount a red stopper station near a manual fire alarm initiating device. ADA mounting compliance requires the operable part of the initiating device shall not be less than 1.1m (3 1/2 ft) or greater than 1.37m (4 1/2 ft) above finished floor service. After installation and testing are complete, provide a copy of this manual to all personnel responsible for testing and maintenance of this product. Push buttons for outdoor use must be mounted with STI outdoor rated covers.

### Testing Approvals

It has been tested and approved or listed by:  
 SS2xx6: Underwriter Laboratories and cUL No. S7255.  
 SS2xx7: Underwriter Laboratories and cUL No. S7255, Type NM suitable for indoor/outdoor use.

### Warranty

Three year guarantee against breakage of polycarbonate in normal use (one year on electro mechanical and electronic components). Electronic warranty form at [www.sti-usa.com/wc14](http://www.sti-usa.com/wc14).

**⚠ WARNING:** This product can expose you to chemicals including Dichloromethane, which is known to the State of California to cause cancer, and Bisphenol A (BPA) which is known to the State of California to cause birth defects or other reproductive harm. For more information go to [www.P65Warnings.ca.gov](http://www.P65Warnings.ca.gov).

## INSTALLATION OF SS2xx6 & SS2xx7 SERIES STOPPER®STATION

All specifications and information shown were current as of publication, and are subject to change without notice