

STI Select-Alert Sirens & Strobes



STI-SA5600-G



STI-SA5500-R



STI-SA5500-B

PRODUCT OVERVIEW

The Select-Alert Siren and Strobes are a highly effective additional signalling device to alert to any unauthorised use and tampering of important devices, when used in conjunction with a triggering device. The combination of alarm and super bright flashing LEDs offers excellent protection for an array of circumstances as they draw attention in a hurry. The sirens and strobes will work in conjunction with push buttons, protective covers, as well as many other products.

KEY FEATURES

General Information

- Alerts to any unauthorised use, theft or vandalism of important devices, as well as unauthorised exits and entries.
- Alarm/siren offers 32 selectable sounds and volume control.
- Includes high intensity LEDs.
- Offers a choice of 8 flash patterns.
- Selection of speeds (STI-SA5500 only).
- Three year guarantee against breakage of polycarbonate in normal use (one year on electro mechanical and electronic components).

Construction

- Durable, polycarbonate construction.

Installation

- Typical working properties of polycarbonate are -40° to 121°C (-40° to 250°F).
- For STI-SA5600 European installation KIT-71100A-W is required. Currently only suitable for surface mount applications.
- Operating temperatures for STI-SA5500 models -20°C to 60°C (-4°F to 140°F). STI-SA5600 models -20°C to 60°C (-4°F to 140°F).

Electronics

- 12-24 VDC power supply.
- Round models battery backup (battery sold separately).

Options

- Can be used as a cabinet alarm, door alarm, link with push button/switch or as a burglar alarm.
- Available with amber, green, blue, red, white, or clear (5500 only) lens.

STI Select-Alert, Sirens & Strobes

Dimensions and Technical Information

MODELS AVAILABLE

STI-SA5500-* Round models with sounder
STI-SA5600-* Rectangle models

* Add 'A' for amber/orange, 'B' for blue, 'C' for clear (5500 only),
 'G' for green, 'R' for red, 'W' for white

ACCESSORIES:

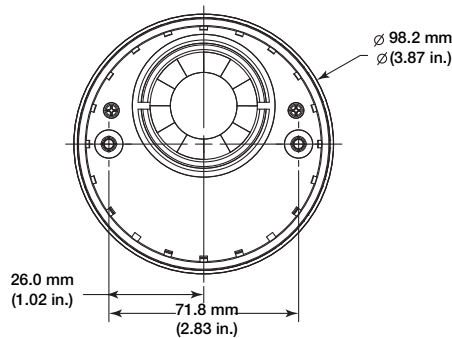
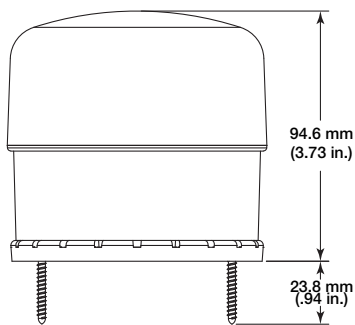
KIT-71100A-W Back box for the STI-SA5600

APPROVALS & WARRANTY

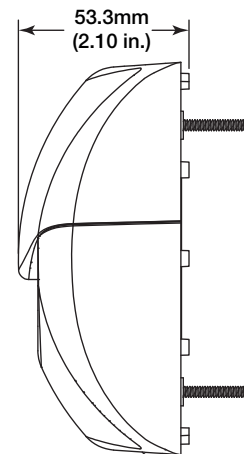
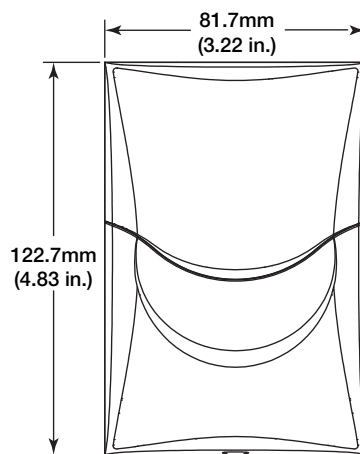
Three year guarantee against breakage of polycarbonate in normal use (one year on electro mechanical and electronic components).
 · STI-SA5500 is designed to meet the requirements of IP66.
 · STI-SA5600 is designed to meet the requirements of IP54.

FUNCTION	STI-SA5500	STI-SA5600
Operating 12/24VDC	✓	✓
Operating Temp -20°C to 60°C	✓	✓
Volume (1 foot) High 105dB/ Low 85dB	✓	✓
8 Flash Patterns	✓	✓
32 Sounds	✓	✓
Strobe Only Control	✓	✓
Sounder Only Control	✓	✓
Strobe/Sounder Open Circuit Trigger	✓	✓
9V Battery (not included)	✓	hard wire only, no battery
Low Battery Signal	✓	
Lens Tamper		✓
Projected IP Rating	IP66	IP54

STI-SA5500
Dimensions



STI-SA5600
Dimensions



Safety Technology International

Taylor House
 34 Sherwood Road
 Bromsgrove
 Worcestershire
 B60 3DR, England

Tel: +44 (0)1527 520 999
 Fax: +44 (0)1527 501 999
 info@sti-emea.com
 www.sti-emea.com

2306 Airport Road
 Waterford, Michigan
 48327, USA

Tel: 248-673-9898
 Fax: 248-673-1246
 Toll-free: 0800-888-4784
 info@sti-usa.com
 www.sti-usa.com