

# NoTouch® Cast Aluminium Button



## PRODUCT OVERVIEW

This touch free button applies NoTouch® technology which helps reduce the spread of germs in any public buildings. To exit, a person must simply wave their hand in front of the device. The infrared will pick up the motion and unlatch the time adjustable door.

NoTouch Cast Aluminium Button offers many different combinations for the price of a standard one configuration button. Eliminating the need to stock dozens of push buttons, and wasting precious time and money tracking down just the right button for a customer. The button is ready to assemble out of box and is easily installed within minutes right on site. The faceplate is constructed of die cast aluminium metal, allowing it to take tough knocks in stride. Button package includes: faceplate, illuminated push buttons and interchangeable snap-in illuminated LED message lenses.

## HOW IT WORKS

The installer simply has to choose which interchangeable snap-in message plate works best for the customers need, and easily snap it into place. This allows the customized button to be mounted in a matter of minutes instead of waiting weeks for a specific button to be ordered and delivered.

## KEY FEATURES

### General Information

- Ideal for public buildings of almost any kind.
- Helps reduce the spread of germs.
- State indicator LED – Standby/ Active Red/Green (default) or selectable green/red.
- Switch IP65.
- One year guarantee on electro mechanical and electronic components.

### Construction

- Faceplate constructed of heavy duty die cast aluminium.
- Switch plate and backbox .062” (1.6mm) thick.
- Button constructed of polycarbonate.

### Installation

- Faceplate is slightly oversized to cover old installation marks.
- Operating temperature 14 F to 158 F (-10 C to 70 C).
- Operating life
  - Mechanical relay 1,000,000 cycles
  - IR sensor 100,000 hours

### Electronics

- NoTouch® active infrared design.
- Integrated adjustable timer.
- Operating voltage 12VDC – 24VDC, 45mA (max.).
- Detection range 1.5in-6in, 4cm-15cm (±25%).
- Form “C” dry contact, 0.5A @120VAC, 1A @ 24VDC.
- Adjustable relay latch time 0.5s-20s.

### Options

- Three interchangeable, illuminated LED message lenses included.
- Blue EXIT, Green EXIT, White OPEN.
- Available sizes.
- US single gang, backbox available.
- European single gang, backbox available.
- Custom text available.

# NoTouch® Cast Aluminium Button

Dimensions and Technical Information

## MODELS AVAILABLE

**NT-CA100-EN** US single gang

**NT-CA300-EN** European single gang

\*Change -EN to -ES for Spanish, -FR for French

Surface Mount Back Box

**KIT-BB1CA** Back box for US single gang

**KIT-BB3CA** Back box for European single gang

## APPROVALS & WARRANTY

### Testing

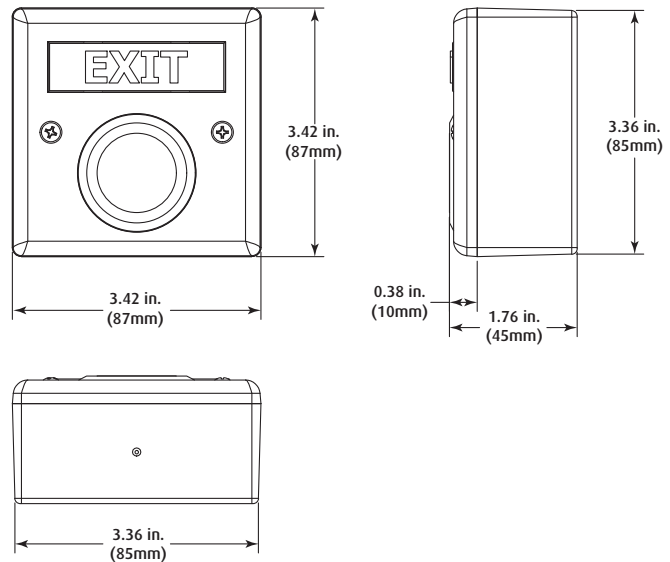
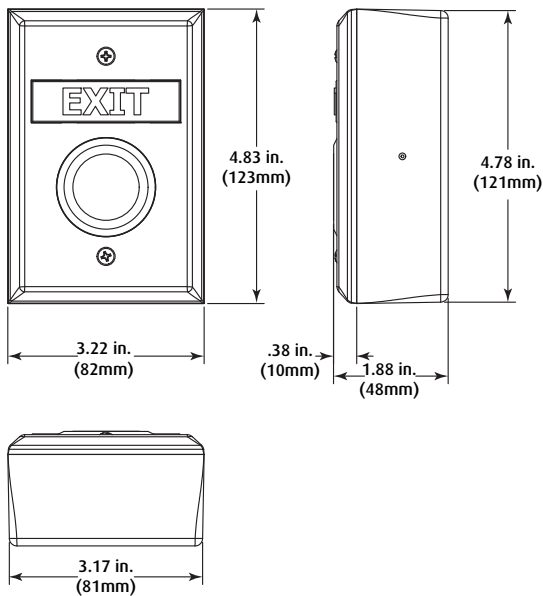
It has been tested and approved or listed by:

- CE

- UK CA

### Warranty

One year guarantee on electro mechanical and electronic components.



**Safety Technology  
International**

Taylor House  
34 Sherwood Road  
Bromsgrove  
Worcestershire  
B60 3DR, England

Tel: +44 (0)1527 520 999  
Fax: +44 (0)1527 501 999  
info@sti-emea.com  
www.sti-emea.com

2306 Airport Road  
Waterford, Michigan  
48327, USA

Tel: 248-673-9898  
Fax: 248-673-1246  
info@sti-usa.com  
www.sti-usa.com