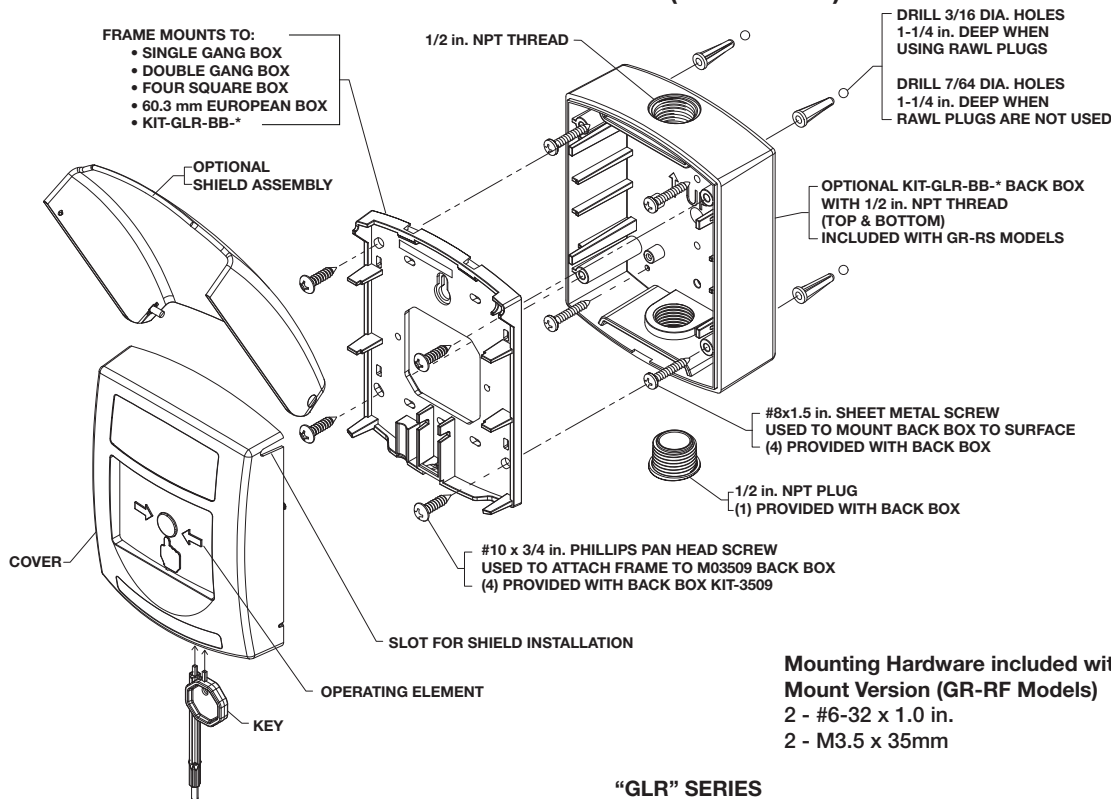




COVER REMOVAL AND INSTALLATION
Surface Mount Version Shown (GLR Models)



Mounting Hardware included with Flush Mount Version (GR-RF Models)
2 - #6-32 x 1.0 in.
2 - M3.5 x 35mm

“GLR” SERIES

“GLR” followed by “abcd-e”, where GLR is the fixed designator.
a = Station color; 0 = Red, 1 = Green, 2 = Yellow, 3 = White, 4 = Blue or 5 = Orange
b = Cover option; 0 = No cover, 2 = Shield, or A = Shield/deterrent sounder
c = Switch configuration; 1 = DPDT Key-to-Reset
d = Message text; 2 letters indicating standard or custom text
e = Language; 2 letters indicating language of “d” text

DESCRIPTION AND OPERATION

Global ReSet is a single-action non-coded manual signaling initiating station. They provide a Control Panel a single alarm initiating input signal. The signal is activated by pushing the clear lens (indicated by the arrows and hand symbol). Once activated, a yellow and black flag drops into view behind the lens. To reset, a special key is inserted into a hole in the bottom and rotated.

⚠ WARNING: This product can expose you to chemicals including Dichloromethane, which is known to the State of California to cause cancer, and Bisphenol A (BPA), which is known to the State of California to cause birth defects or other reproductive harm. For more information go to www.P65Warnings.ca.gov.

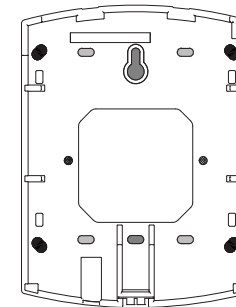
Three year warranty or a one year limited warranty (from date of purchase) on most products. See website for details. Electronic warranty form at www.sti-usa.com/wc14.

FRAME MOUNTING OPTIONS

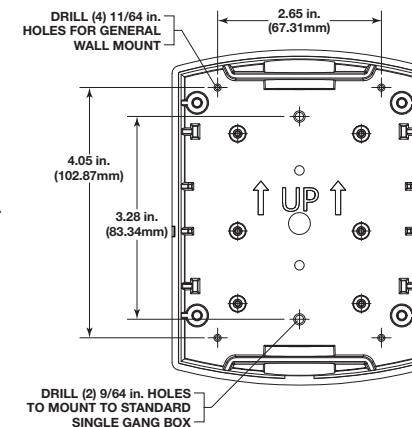
RECOMMENDED MOUNTING HEIGHT: NOT LESS THAN 1.1M (3 1/2 FT.) OR GREATER THAN 1.37M (4 1/2 FT.) ABOVE FINISHED FLOOR SURFACE.

MOUNTING HOLE KEY	SCREW SIZE REQUIRED
	KIT-GLR-BB-* #10 x 3/4" PAN-SMS
	FOUR SQUARE BOX #8-32 x 1.0" MACHINE SCREW
	DOUBLE GANG BOX #6-32 x 1.0" MACHINE SCREW
	60.3mm EUROPEAN BOX M3.5 x 35mm MACHINE SCREW
	SINGLE GANG BOX #6-32 x 1.0" MACHINE SCREW

* ADD '0' FOR RED, '1' FOR GREEN, '2' FOR YELLOW, '3' FOR WHITE, '4' FOR BLUE, '5' FOR ORANGE



BACK BOX INSTALLATION PREP



ADA Compliant



INSTALLATION OF GLOBAL RESET GLR SERIES

All specifications and information shown were current as of publication and are subject to change without notice.

SIDE 1

GLRIS MAR2020



WARNING

The Global ReSet signaling initiating station has been tested and listed to UL2017, UL294, UL365, ULC304, UL609, ULC303, UL636. It is important to read, understand and follow all instructions provided with this product. It is the installer's responsibility to comply with NFPA70 and 101, NEC, Canadian Electrical Code, Part 1 mounting specifications according to ADA and other applicable fire and electrical codes. After installation and testing are complete, provide a copy of this manual to all personnel responsible for testing and maintenance of this product. Regular testing of these products, in accordance to NFPA standards, is required. Safety Technology International is not responsible for improperly installed, tested or maintained devices. Latching Push Button not evaluated to ULC S319.

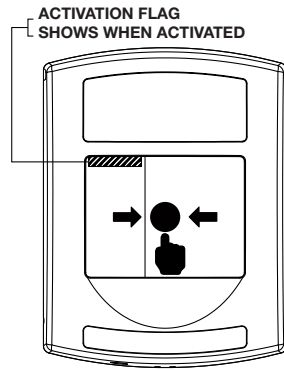
ATTENTION

La station d'initiation de l'alarme Global ReSet a été testée et répertoriée sur UL2017, UL294, UL365, ULC304, UL609, ULC303, UL636. Il est important de lire, comprendre et suivre toutes les instructions fournies avec ce produit. Il incombe à l'installateur de se conformer aux normes NFPA70 et 101, NEC, Code canadien de l'électricité, partie 1, aux spécifications de montage selon ADA et aux autres codes d'incendie et électriques applicables. Une fois l'installation terminée, fournir une copie de ce manuel à tout le personnel responsable des essais et de la maintenance de ce produit. Des tests réguliers de ces produits, conformément aux normes NFPA, sont nécessaires. Safety Technology International n'est pas responsable des dispositifs installés, testés ou maintenus de manière incorrecte. Bouton-poussoir de verrouillage non évalué à ULC S319.

SOUND AND FLASHING LED INSTALLATION INSTRUCTIONS

1. Place volume jumper to desired sounder volume (default high).
2. With shield removed, insert Sounder PCB edge into PCB guides and rotate; the PCB will lay flat when properly installed.
3. Insert screw and tighten until snug (do not over tighten).
4. Install shield and rotate to closed position.
5. Check operation by rotating shield to fully open position then back to closed position to ensure the BUTTON LEVER is pressed down onto the BUTTON.
6. Pull mylar battery tab with the battery remaining installed (sounder is now active).
7. Mount cover with shield onto frame.

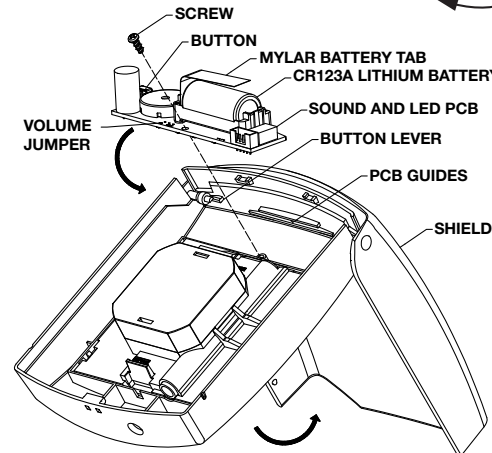
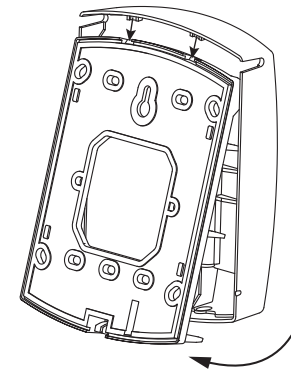
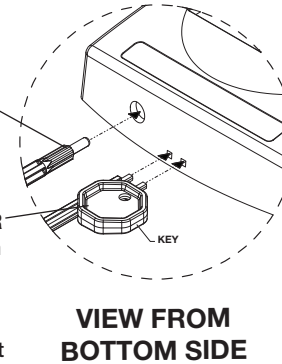
ACTIVATION AND RESET



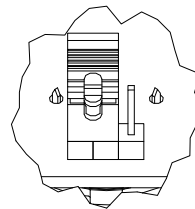
- TO RESET UNIT**
1. Insert key until engages flag.
 2. Turn to left until button resets.

- TO REMOVE COVER**
1. Insert 2 prongs on key into matching holes on bottom of unit.
 2. Pull bottom of unit out and lift cover off tabs on frame.

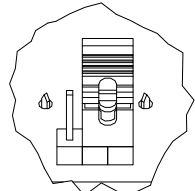
- TO INSTALL COVER**
1. Insert tabs on the inside top of cover with slots on the frame.
 2. Rotate cover down and snap bottom onto frame.



VOLUME JUMPER

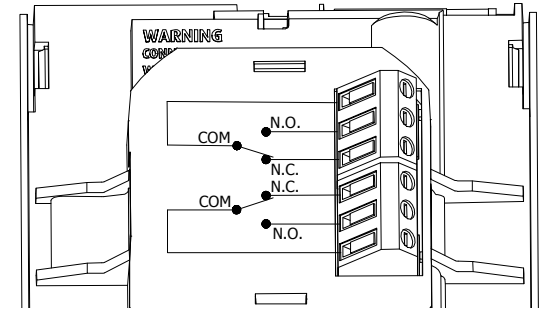


HIGH (default)



LOW

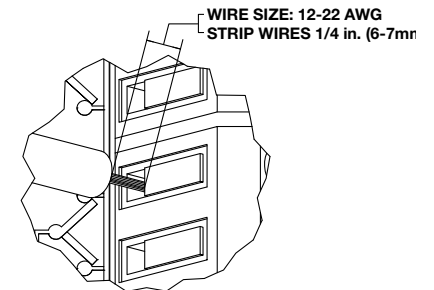
TERMINAL CONFIGURATION



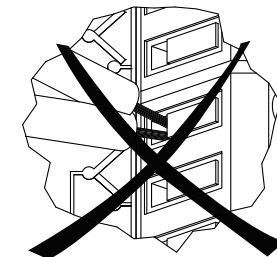
DPDT CONTACT RATING: 5A@ 30VAC, 1A@42 VDC.
INDOOR USE ONLY 14°F to 120°F (-10°C to 49°C)

UL294 PERFORMANCE LEVELS:

- Line Security: 1
- Attack: 1
- Endurance: 1
- Standby Power: 1



CORRECT METHOD: INSERT SINGLE LEAD



INCORRECT METHOD: INSERTING MULTIPLE LEADS

INSTALLATION OF GLOBAL RESET GLR SERIES

SIDE 2

All specifications and information shown were current as of publication and are subject to change without notice.

GLRIS MAR2020