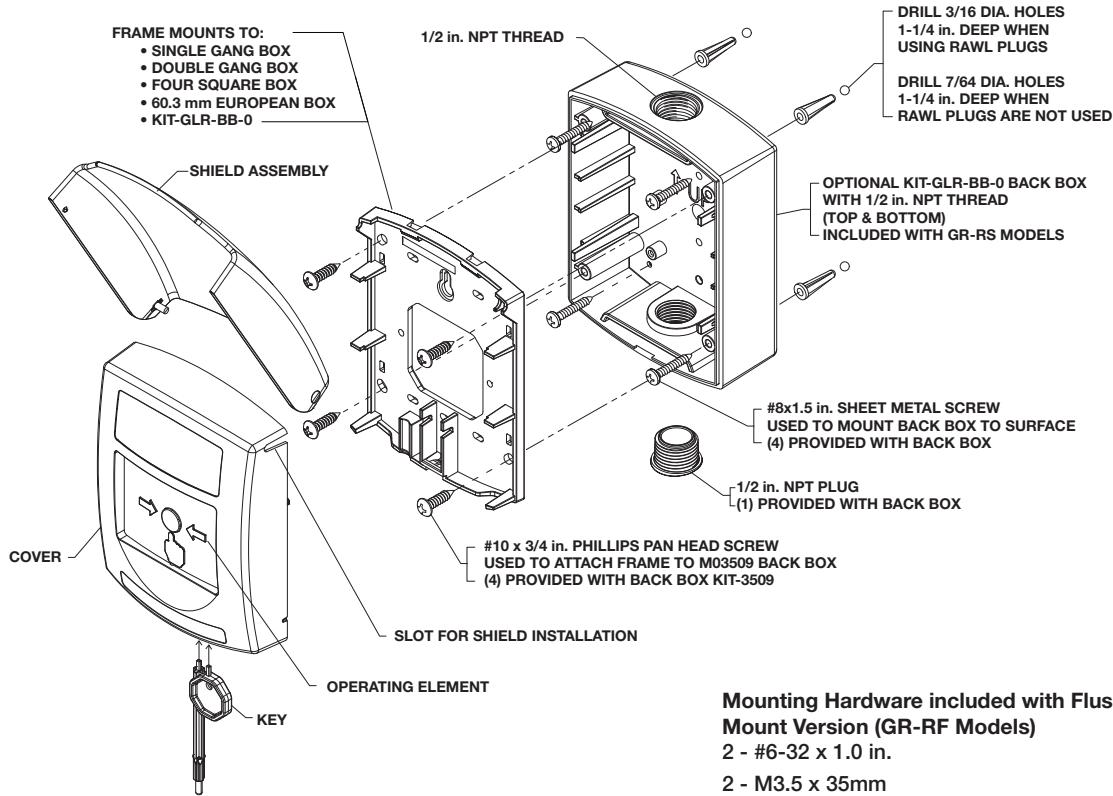




**COVER REMOVAL AND INSTALLATION**  
Surface Mount Version Shown (GR-RS Models)



**Mounting Hardware included with Flush  
Mount Version (GR-RF Models)**  
2 - #6-32 x 1.0 in.  
2 - M3.5 x 35mm

**DESCRIPTION AND OPERATION**

Global ReSet is a single-action non-coded manual fire alarm initiating station. They provide a Fire Alarm Control Panel (FACP) a single alarm initiating input signal. The signal is activated by pushing the clear lens (indicated by the arrows and hand symbol). Once activated, a yellow and black flag drops into view behind the lens. To reset, a special key is inserted into a hole in the bottom and rotated.

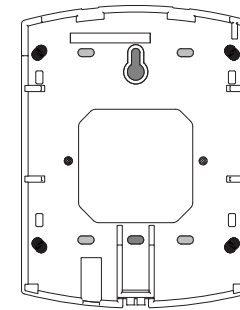
**WARNING:** This product can expose you to chemicals including Dichloromethane, which is known to the State of California to cause cancer, and Bisphenol A (BPA), which is known to the State of California to cause birth defects or other reproductive harm. For more information go to [www.P65Warnings.ca.gov](http://www.P65Warnings.ca.gov).

Three year warranty or a one year limited warranty (from date of purchase) on most products. See website for details. Electronic warranty form at [www.sti-usa.com/wc14](http://www.sti-usa.com/wc14).

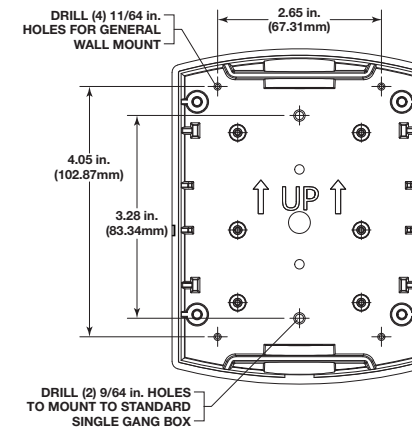
**FRAME MOUNTING OPTIONS**

RECOMMENDED MOUNTING HEIGHT: NOT LESS THAN 1.1M (3 1/2 FT.) OR GREATER THAN 1.37M (4 1/2 FT.) ABOVE FINISHED FLOOR SURFACE.

MOUNTING HOLE KEY	SCREW SIZE REQUIRED
	KIT-GLR-BB-0 #10 x 3/4" PAN-SMS
	FOUR SQUARE BOX #8-32 x 1.0" MACHINE SCREW
	DOUBLE GANG BOX #6-32 x 1.0" MACHINE SCREW
	60.3mm EUROPEAN BOX M3.5 x 35mm MACHINE SCREW
	SINGLE GANG BOX #6-32 x 1.0" MACHINE SCREW



**BACK BOX INSTALLATION PREP**



**ADA**  
Series 21 & 22



**INSTALLATION OF GLOBAL RESET GR SERIES**

All specifications and information shown were current as of publication and are subject to change without notice.

SIDE 1

GRRF01S MAR2020



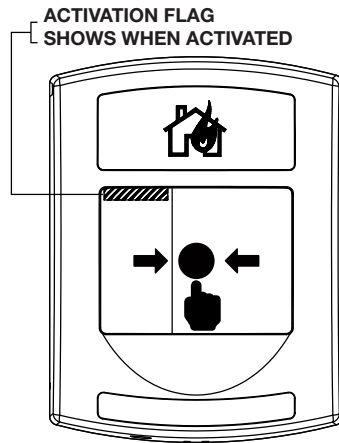
**WARNING**

The Global ReSet fire alarm initiating station has been tested and listed to UL38 and ULC 528. It is important to read, understand and follow all instructions provided with this product. It is the installer's responsibility to comply with NFPA72 and 101, NEC, mounting specifications according to ADA and other applicable fire and electrical codes. After installation and testing are complete, provide a copy of this manual to all personnel responsible for testing and maintenance of this product. Regular testing of these products, in accordance to NFPA standards, is required. Safety Technology International is not responsible for improperly installed, tested or maintained devices.

**ATTENTION**

La station d'initiation de l'alarme incendie Global ReSet a été testée et répertoriée sur UL38 et ULC 528. Il est important de lire, comprendre et suivre toutes les instructions fournies avec ce produit. Il incombe à l'installateur de se conformer aux normes NFPA72 et 101, NEC, aux spécifications de montage selon ADA et aux autres codes d'incendie et électriques applicables. Une fois l'installation terminée, fournir une copie de ce manuel à tout le personnel responsable des essais et de la maintenance de ce produit. Des tests réguliers de ces produits, conformément aux normes NFPA, sont nécessaires. Safety Technology International n'est pas responsable des dispositifs installés, testés ou maintenus de manière incorrecte.

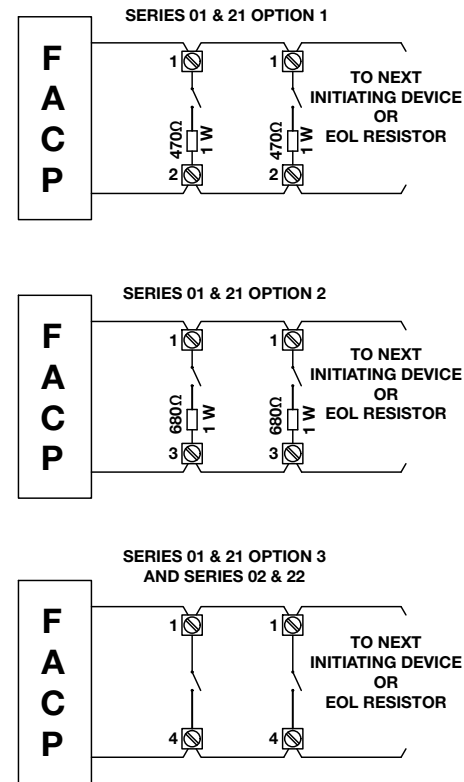
**ACTIVATION AND RESET**



**TERMINAL CONFIGURATION**



**WIRING DIAGRAM**



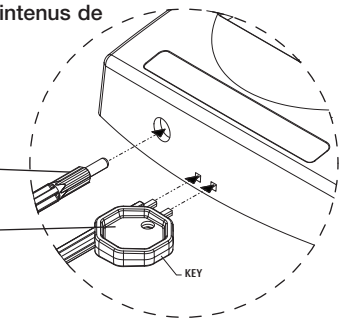
**WIRING INSTRUCTIONS**

1. MOUNT SURFACE BACK BOX (IF USED) AND FRAME.
2. CONNECT WIRES ACCORDING TO FACP MANUFACTURERS INSTRUCTIONS.
  - a. SERIES 01 & 21 FOR FACP REQUIRING 470Ω RESISTANCE FOR ACTIVATION, CONNECT TERMINALS 1 & 2 OPTION 1.
  - b. SERIES 01 & 21 FOR FACP REQUIRING 680Ω RESISTANCE FOR ACTIVATION, CONNECT TERMINALS 1 & 3 OPTION 2.
  - c. SERIES 01 & 21 OPTION 3, SERIES 02 & 22, FOR FACP REQUIRING CONTACT CLOSURE FOR ACTIVATION CONNECT TERMINALS 1 & 4.
3. CONNECTING MULTIPLE INITIATING DEVICES, KEEP POLARITY CONSISTENT.
4. LAST DEVICE IN CIRCUIT, CONNECT END OF LINE RESISTOR.
5. INSTALL COVER AND TEST FOR PROPER OPERATION.

**CONTACT RATING: 5A@30 VAC, 1A@48 VDC.**  
Listed for Indoor or Outdoor use, -30°F to 120°F (-35°C to 49°C)

**TO RESET UNIT**

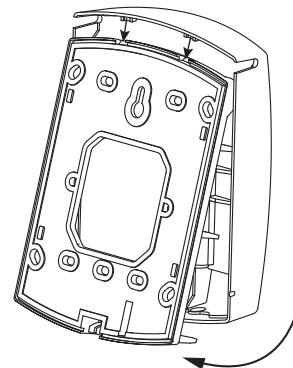
1. INSERT KEY UNTIL ENGAGES FLAG.
2. TURN TO LEFT UNTIL BUTTON RESETS.



**VIEW FROM BOTTOM SIDE**

**TO REMOVE COVER**

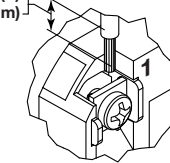
1. INSERT 2 PRONGS ON KEY INTO MATCHING HOLES ON BOTTOM OF UNIT.
2. PULL BOTTOM OF UNIT OUT AND LIFT COVER OFF TABS ON FRAME



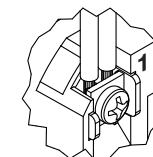
**TO INSTALL COVER**

1. INSERT TABS ON THE INSIDE TOP OF COVER WITH SLOTS ON THE FRAME.
2. ROTATE COVER DOWN AND SNAP BOTTOM ONTO FRAME.

STRIP WIRE(S)  
3/8 in. (9mm)



**CORRECT METHOD OF INSERTING SINGLE LEADS**



**CORRECT METHOD OF INSERTING MULTIPLE LEADS (1 WIRE EACH SIDE OF SCREW)**



**INCORRECT METHOD OF INSERTING MULTIPLE LEADS (BOTH WIRES ONE SIDE OF SCREW)**

**TO MAINTAIN INITIATING DEVICE SUPERVISION, BREAK WIRES AT TERMINALS. DO NOT LOOP WIRES AROUND SCREWS.**

**INSTALLATION OF GLOBAL RESET GR SERIES**

All specifications and information shown were current as of publication and are subject to change without notice.