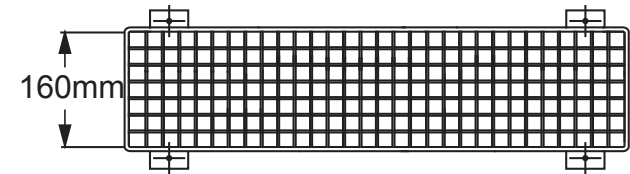
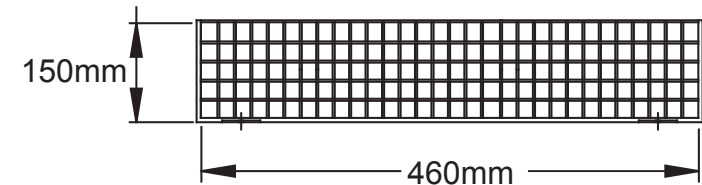




**PRODUCT DIMENSIONS**



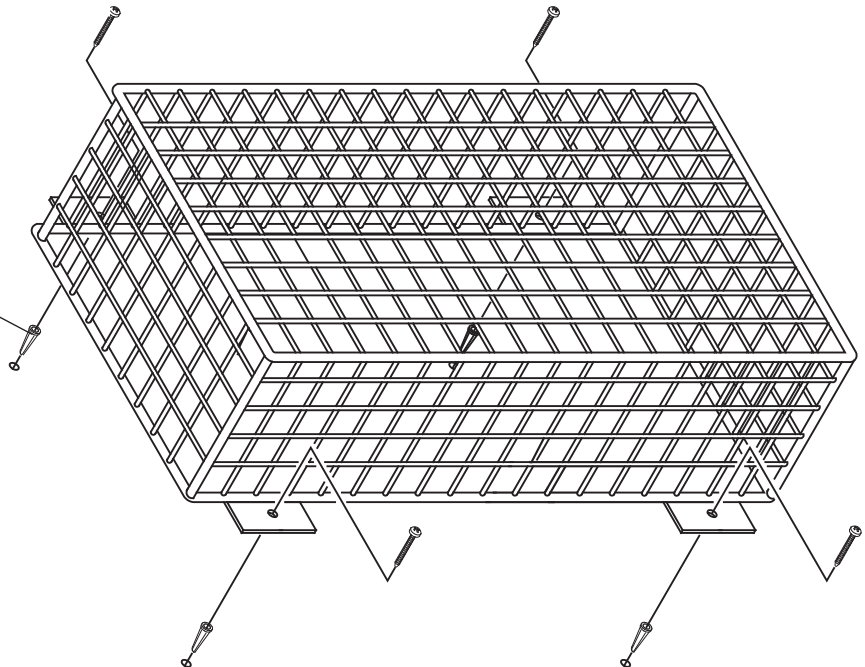
STI 9648 TOP VIEW



STI 9648 SIDE VIEW

**DIMENSIONS SHOWN ARE INTERNAL**

Centre cage over existing  
appliance. Using mounting  
tabs as template, drill (4)  
7mm dia. holes and insert  
rawl plugs (if required).  
Complete installation.



Three year warranty or a one year limited warranty (from date of purchase) on most products. See website for details. Electronic warranty form at [www.sti-usa.com/wc14](http://www.sti-usa.com/wc14).

**INSTALLATION OF STI-9648**

All specifications and information shown were current as of publication and are subject to change without notice.

9648IS May2017

