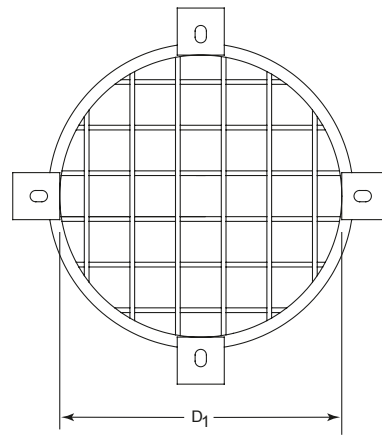
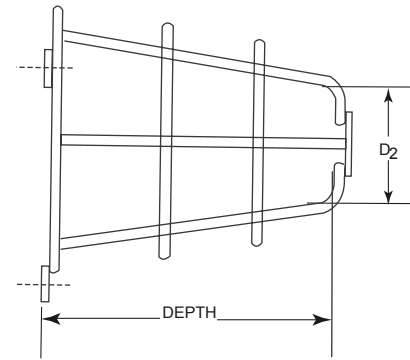


FRONT VIEW

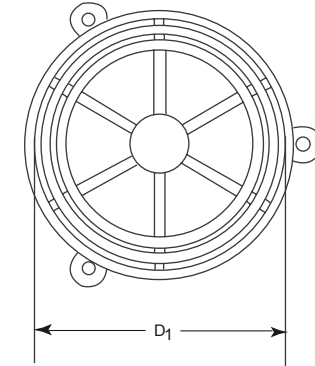
**STI-9614
STI-9615
STI-9617**



BOTTOM VIEW



SIDE VIEW



TOP VIEW

**STI-9664
STI-9665**

Model	Depth	D ₁	D ₂
STI-9614	6 in. (152mm)	7.8 in. (198mm)	N/A
STI-9615	3.5 in. (88mm)	3.75 in. (95mm)	N/A
STI-9617	5.0 in. (127mm)	5.9 in. (149mm)	N/A
STI-9664	6.8 in. (173mm)	5 in. (130mm)	3.0 (76mm)
STI-9665	8.5 in. (214mm)	6.6 in. (167mm)	5.3 (134mm)

INSTALLATION:

1. Center the wire guard over existing appliance.
2. Mark and drill mounting holes.
3. Insert screws through clamps and tighten.

NOTE: Anchors and screws provided are for wall mounting. Other fasteners may be required for mounting to metal enclosure or cabinet.

INSTALLATION OF BEACON & SOUNDER CAGES

All specifications and information shown were current as of publication, and are subject to change without notice.