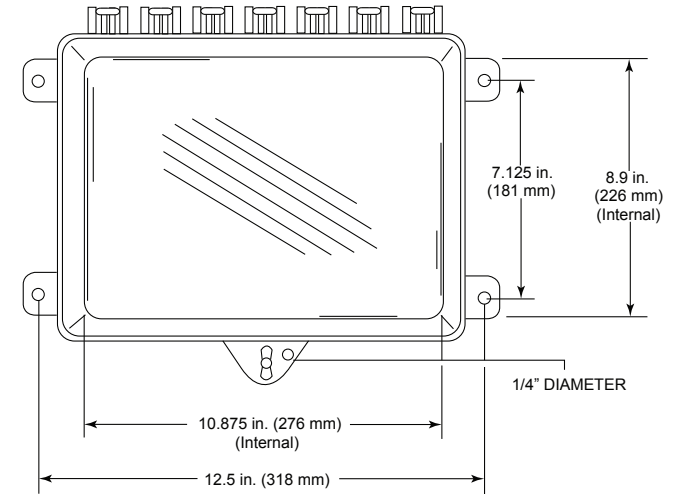
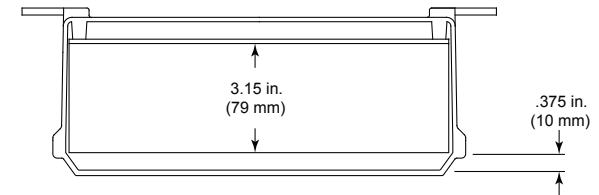


INSTALLATION INSTRUCTIONS

1. Insert the (4) mounting tabs into the (4) back box slots.
2. Using the installed mounting tabs as a template, mark and drill (4) 1/4 in. diameter holes and complete installation as shown.



FRONT VIEW



TOP VIEW
INTERNAL PRODUCT
DIMENSIONS

CLEANING INSTRUCTIONS

Rinse with water to remove abrasive dust and dirt. Wash with soap or mild detergent using a soft cloth. **DO NOT SCRUB OR USE BRUSHES OR ABRASIVES.** Rinse once more, then dry with a soft cloth or chamois. To remove grease or wet paint, rub gently with a cloth wetted thoroughly with naphtha. Then wash and rinse. **DO NOT USE RAZOR BLADES OR GASOLINE.**

NEMA 4X

Three year warranty or a one year limited warranty (from date of purchase) on most products. See website for details. Electronic warranty form at www.sti-usa.com/wc14.



INSTALLATION OF STI-7520 & STI-7521 NEMA 4X PROTECTIVE CABINET

All specifications and information shown were current as of publication and are subject to change without notice.

7520_21IS FEB2017

