

# Access Control Housings



STI-7515A



STI-7516F

## PRODUCT OVERVIEW

These waterproof, multipurpose sealed housings mount to either a wall or pedestal and are ideal for housing a variety of access control equipment. Moulded of thick white polycarbonate material, they can help to protect against vandalism and misuse.

STI-7515 and STI-7516 housings are available in two depths. Back box 'A' provides 108mm of depth and back box 'F' provides 50mm of depth. STI-7510 and STI-7511 models are available with a variety of back box and spacer options. STI-7520 is supplied as an enclosure.

## HOW IT WORKS

The STI-7515 has four mounting tabs allowing it to be installed on a wall. It can be used as a multipurpose electrical enclosure, connection box, etc. The STI-7516 can be installed to a mounting pedestal and is ideal for a gate entry, call switch or any electrical device configuration. STI-7510, STI-7511 and STI-7520 models are installed with a simple 4 fixing installation.

## KEY FEATURES

### General Information

- Help solve installation problems for a variety of access control equipment.
- Three year guarantee against breakage of polycarbonate in normal use

### Design

- STI-7515 has four mounting tabs allowing it to be installed on a wall.
- STI-7516 is designed to be installed on a mounting pedestal and includes adapter plate (KIT-318).
- STI-7510, STI-7511 and STI-7520 models are installed with a simple 4 fixing installation.

### Construction

- NEMA 4
- Housings are water resistant to provide added protection for critically important devices.

### Installation

- Mounting hardware is included.
- Typical working properties of polycarbonate are -40°C to 121°C (-40° to 250°F)

### Options

- Different depths available.
- STI-7510 and STI-7511 are available with a variety of back box and spacer options.
- STI-7515 and STI-7516 available in two depths.
- STI-7520 comes as standard as an enclosure.

# Access Control Housings

Dimensions and Technical Information

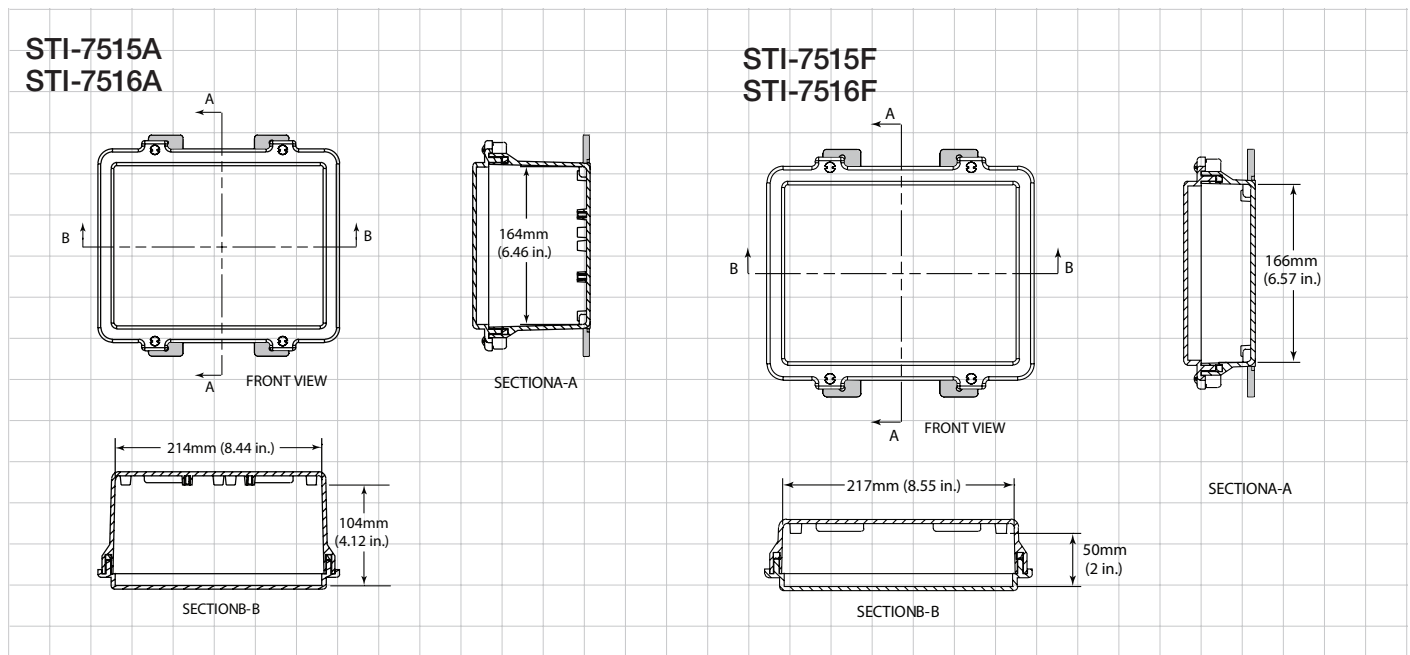
## MODELS AVAILABLE

<b>STI-7515A</b>	Access Control Housing with Wall Mount and "A" Enclosed Deep White Back Box
<b>STI-7515F</b>	Access Control Housing with Wall Mount and "F" Enclosed Shallow White Back Box
<b>STI-7516A</b>	Access Control Housing with Mounting Pedestal, Adapter Plate and "A" Enclosed Deep White Back Box
<b>STI-7516F</b>	Access Control Housing with Mounting Pedestal, Adapter Plate and "F" Enclosed Shallow White Back Box
<b>STI-7510A-OW</b>	Polycarbonate Enclosure with Enclosed Deep White Back Box and Exterior Key Lock
<b>STI-7510E-OW</b>	Polycarbonate Enclosure with Open White Spacer and Exterior Key Lock
<b>STI-7510F-OW</b>	Polycarbonate Enclosure with Enclosed Shallow White Back Box and Exterior Key Lock
<b>STI-7511A-OW</b>	Polycarbonate Enclosure with Enclosed Deep White Back Box and Exterior Thumb Lock
<b>STI-7511E-OW</b>	Polycarbonate Enclosure with Open White Spacer for Flush Mount Applications and Exterior Thumb Lock
<b>STI-7511F-OW</b>	Polycarbonate Enclosure with Enclosed Shallow White Back Box and Exterior Thumb Lock
<b>STI-7520-OW</b>	Type 4X Polycarbonate Enclosure with Backplate and Key Lock - White
<b>STI-7521-OW</b>	Type 4X Polycarbonate Enclosure with Backplate and Thumb Lock - White

### Accessories:

<b>KIT-318</b>	Adapter Plate for Mounting A-F Back Boxes to Pedestal
<b>KIT-H19016</b>	Replacement Tamper Tool

MODEL	INTERNAL HEIGHT	INTERNAL WIDTH	INTERNAL DEPTH
<b>STI-7515A</b>	164mm (6.46in.)	214mm (8.44in.)	104mm (4.12in.)
<b>STI-7516A</b>			
<b>STI-7515F</b>	166mm (6.57in.)	217mm (8.55in.)	50mm (2in.)
<b>STI-7516F</b>			
<b>STI-7510A-OW</b>	165mm (6.48in.)	215mm (8.5in.)	117mm (4.6in.)
<b>STI-7511A-OW</b>			
<b>STI-7510E-OW</b>	145mm (5.7in.)	196mm (7.7in.)	56mm (2.2in.)
<b>STI-7511E-OW</b>			
<b>STI-7510F-OW</b>	143mm (5.63in.)	211mm (8.3in.)	71mm (2.79in.)
<b>STI-7511F-OW</b>			
<b>STI-7520-OW</b>	225mm (8.88in.)	276mm (10.88in.)	92mm (3.63in.)
<b>STI-7521-OW</b>			



**Safety Technology International**

Taylor House  
34 Sherwood Road  
Bromsgrove  
Worcestershire  
B60 3DR, England

Tel: +44 (0)1527 520 999  
Fax: +44 (0)1527 501 999  
info@sti-emea.com  
www.sti-emea.com

2306 Airport Road  
Waterford, Michigan  
48327, USA

Tel: 248-673-9898  
Fax: 248-673-1246  
Toll-free: 800-888-4784  
info@sti-usa.com  
www.sti-usa.com