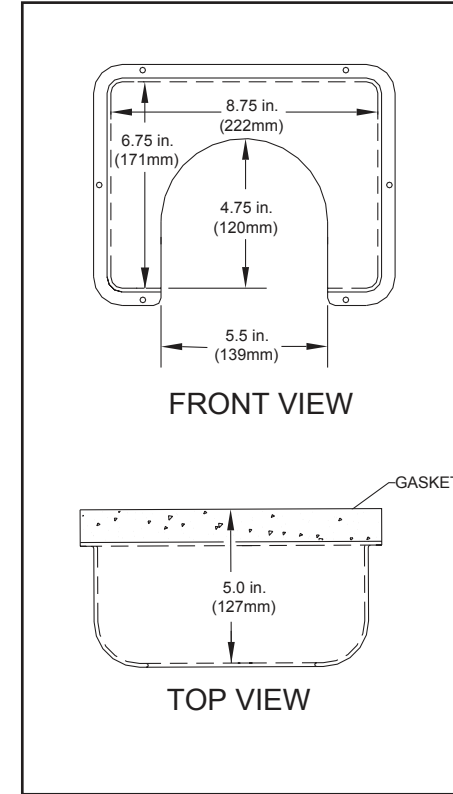


### INSTALLATION INSTRUCTIONS

1. Place the cover over the reader. Be sure the keypad and print reader are accessible through the front opening in cover.
2. Mark and drill 7 holes 3/16 in. (4.7mm).
3. Complete assembly as shown.



### CLEANING INSTRUCTIONS

1. Rinse cover with water to remove abrasive dust and dirt.
2. Wash with soap or mild detergent using a soft cloth. (DO NOT SCRUB.)
3. Rinse once more, then dry with a soft cloth or chamois.
4. To remove grease or wet paint, rub gently with a cloth wetted thoroughly with naphtha, then wash and rinse. (DO NOT USE RAZOR BLADES.)

## INSTALLATION OF BIO-7504 & BIO-7505 BIO PROTECTOR

All specifications and information shown were current as of publication, and are subject to change without notice.