

### TYPICAL INSTALLATION OF STI-7500 AND STI-7501

Internal dimensions of all six enclosures are 8.50 in. (216mm) wide and 6.37 in. (160mm) high. For depth dimensions, see pictorial views.

### INSTALLATION PROCEDURE

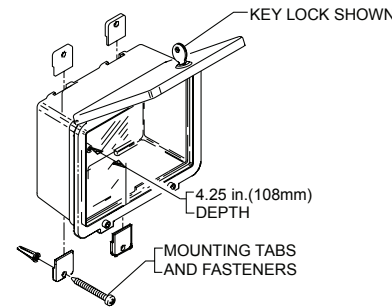
1. For models A, B, C & F insert the (4) mounting tabs into the backbox slots.
2. Using the installed mounting tab holes or internal mounting bosses as a template, mark and drill (4) 1/4 in. diameter holes and complete installation as shown.

### CLEANING INSTRUCTIONS

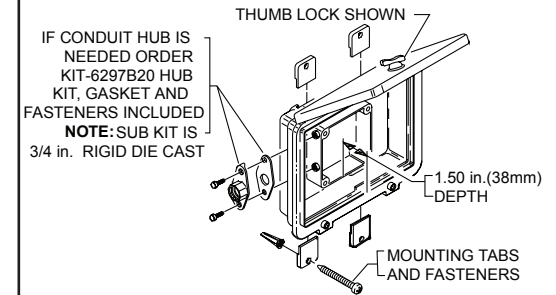
Rinse with water to remove abrasive dust and dirt. Wash with soap or mild detergent, using a soft cloth. **(Do not scrub or use brushes or abrasives.)** Rinse once more, then dry using a soft cloth or chamois.

To remove grease or wet paint, rub gently with a cloth wetted thoroughly with naphtha **(do not use razor blades or gasoline).** Then wash and rinse.

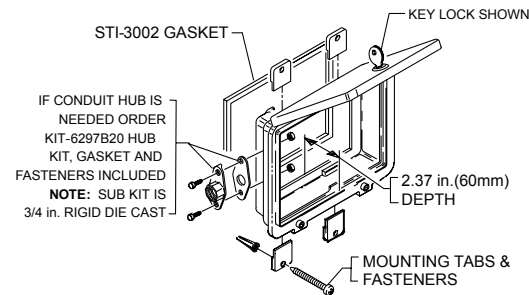
#### STI-7500A WITH KEY LOCK STI-7501A WITH THUMB LOCK SEALED BACKBOX WITH EXTERNAL MOUNTING



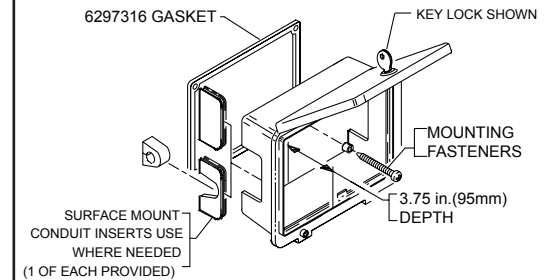
#### STI-7500B WITH KEY LOCK STI-7501B WITH THUMB LOCK SEALED BACKBOX WITH EXTERNAL MOUNTING AND MOLDED DOUBLE GANG OUTLET BOX



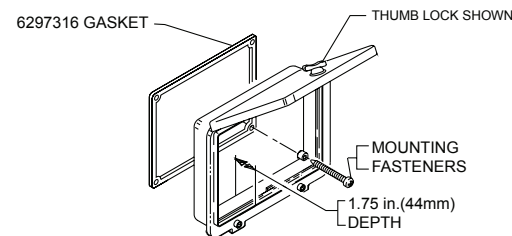
#### STI-7500C WITH KEY LOCK STI-7501C WITH THUMB LOCK OPEN BACKBOX WITH EXTERNAL MOUNTING



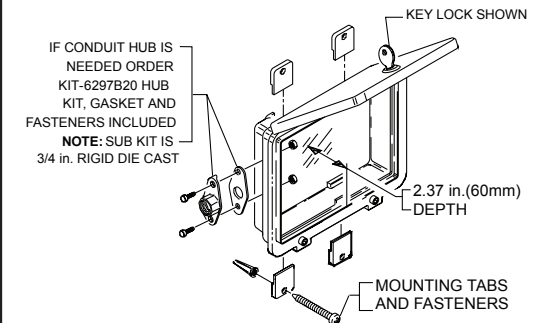
#### STI-7500D WITH KEY LOCK STI-7501D WITH THUMB LOCK OPEN BACKBOX WITH INTERNAL MOUNTING



#### STI-7500E WITH KEY LOCK STI-7501E WITH THUMB LOCK OPEN BACKBOX WITH INTERNAL MOUNTING



#### STI-7500F WITH KEY LOCK STI-7501F WITH THUMB LOCK SEALED BACKBOX WITH EXTERNAL MOUNTING



## INSTALLATION OF STI-7500 & STI-7501 POLYCARBONATE ENCLOSURES

All specifications and information shown were current as of publication, and are subject to change without notice.