

# Stopper® Station Shield



STI-6517

## PRODUCT OVERVIEW

This inexpensive and highly durable cover was invented to mount directly onto the Stopper® Station series of buttons. With two tabs that snap into the Stopper Station, the cover easily mounts over the push button. It takes hard knocks in stride while protecting the button against vandalism, damage or accidental activation.

## GUARANTEE

As all STI protective covers, this Stopper Station Shield is backed by a three year guarantee against breakage in normal use. It is also highly cost effective and easy to install.

## KEY FEATURES

### General Information

- Protects against vandalism, damage and accidental activation.
- Raised moulded "LIFT HERE."
- Three year guarantee against breakage of polycarbonate in normal use (one year on electromechanical and electronic components).

### Design

- Cover specifically designed to fit STI Stopper Stations with notched mounting slots (see reverse).

### Construction

- Cover is moulded from thick, tough polycarbonate material.
- Cover is UV-stabilized.

### Installation

- Ideal for use when space is limited.
- Tabs snap into Stopper Station shell allowing for fast and easy installation.
- Typical working properties of polycarbonate are -40°C to 121°C (-40° to 250°F)

### Electronics

- STI-6517A has a selectable 65 or 85 dB alert when lifted.
- STI-6517B is wireless and has a selectable 65 or 85 dB alert when lifted.

### Options

- Available with alert or alert and wireless.
- Standard French and Spanish label available.

# Stopper® Station Shield

Dimensions and Technical Information

## MODELS AVAILABLE

- STI-6517** Stopper Station Shield
- STI-6517A** Stopper Station Shield with sound
- STI-6517B\*** Wireless Stopper Station Shield with sound
- STI-6517-FRE** Shield with "LEVEZ ICI"
- STI-6517-SPA** Shield with "LEVANTE AQUI"

**NB:**

Special order. Please contact STI sales for ordering information.  
 \*Requires STI-34104 4-Channel Receiver, STI-V34104 4-Channel Voice Receiver or STI-34108 8-Channel Receiver.

## APPROVALS & WARRANTY

**TESTING**

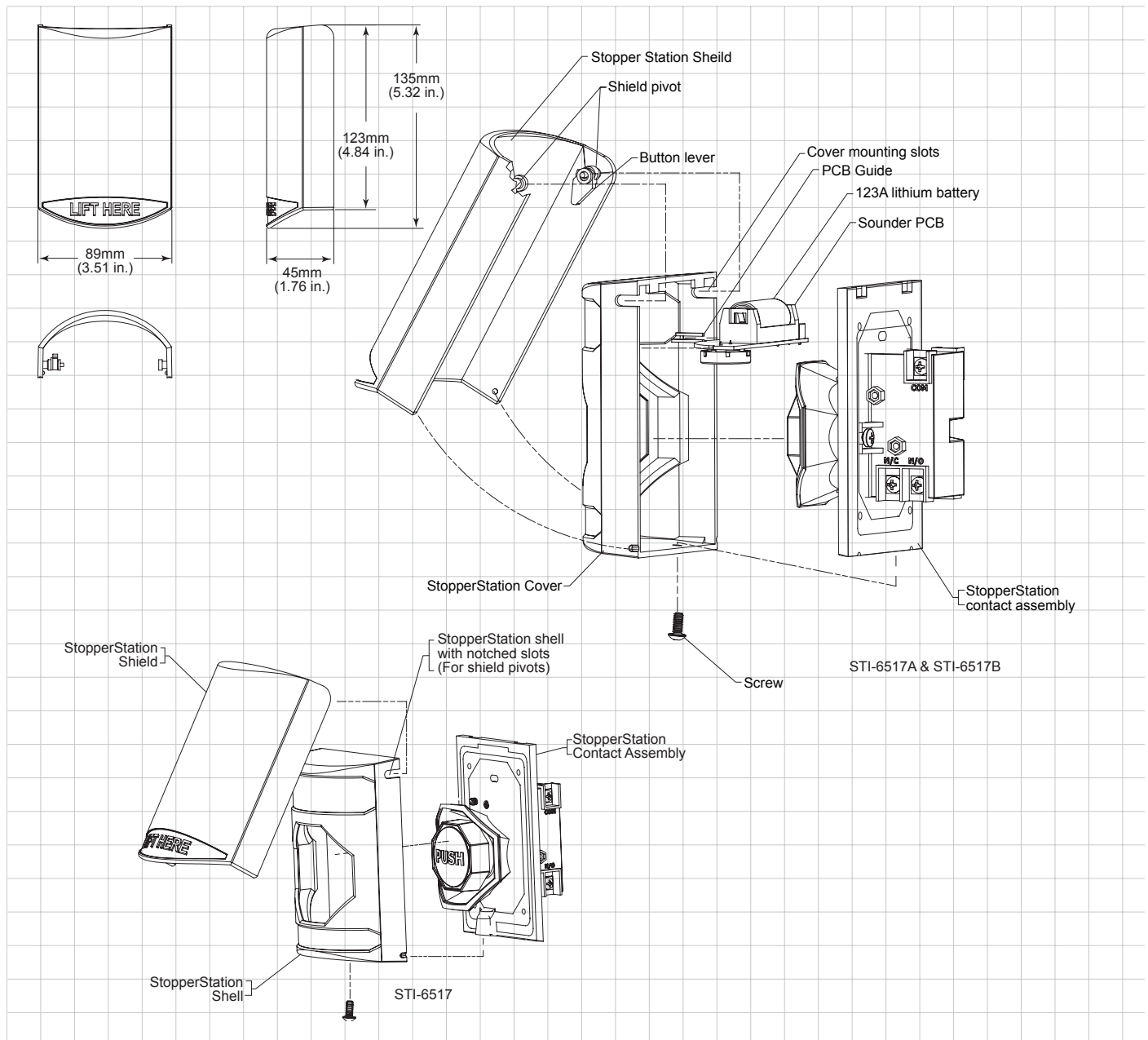
- UL and cUL S7255

**STI-6517B**

- FCC & IC Compliant

**WARRANTY**

Three year guarantee against breakage of polycarbonate in normal use.



**Safety Technology International**

Taylor House  
 34 Sherwood Road  
 Bromsgrove  
 Worcestershire  
 B60 3DR, England

Tel: +44 (0)1527 520 999  
 Fax: +44 (0)1527 501 999  
 info@sti-emea.com  
 www.sti-emea.com

2306 Airport Road  
 Waterford, Michigan  
 48327, USA

Tel: 248-673-9898  
 Fax: 248-673-1246  
 Toll-free: 0800-888-4784  
 info@sti-usa.com  
 www.sti-usa.com