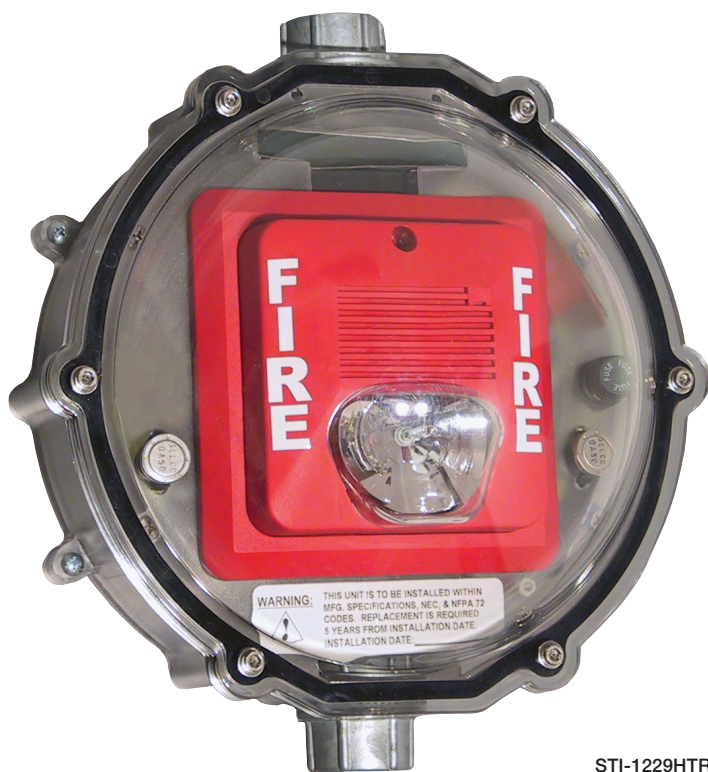


STI Environmental Enclosures for Strobes



STI-1229HTR

PRODUCT OVERVIEW

NEMA 4X heated environmental enclosures for signalling appliance unit UL, cUL Listed. The Environmental Enclosures for Strobes are an excellent way to protect your signalling device located where temperature or environmental conditions exceed the suggested operation range. This protective cover with heater assembly for strobe appliances is UL/cUL/ULC Listed to NEMA 4X standards. Thermostatically controlled heaters and a continuous duty fan maintain a uniform temperature in the cover when located in a cold environment. Applications include, but are not limited to, refrigerators, freezers, meat packaging plants, arctic environments, ocean rigs, etc. UL/ULC Listed down to -57°C (-70°F) applicable for indoor and outdoor.

PLEASE NOTE

The enclosure is used to protect UL Listed 1638 and 1971 visual notification appliances at temperatures down to -57°C (-70°F). It is the installer's responsibility to comply with NFPA 72, NEC, and other applicable fire and electrical codes. Conduit or raceway paths need to be sealed as near to the enclosure as possible. Installer should have maintained supervision over the low temperature thermostat. The low temperature monitoring thermostat makes the circuit at 0°C (32°F) and clears the circuit at 10°C (50°F). This listing requires that the fire alarm supervisory control module be only of the latching type. The heater assembly and gasket have a life of 5 years. After such date a replacement heater assembly can be purchased (STI-HK2A). There is a label on the heater assembly to record the installation date. In hazardous areas all sources of power must be shutdown before accessing cover per NEC.

KEY FEATURES

General Information

- NEMA 4X heated environmental enclosures for signalling appliance unit UL, cUL Listed.
- Three year guarantee against breakage of polycarbonate in normal use (one year on electromechanical and electronic components).

Design

- Protects signal devices located in areas where the temperature or environmental conditions are extreme.

Construction

- Tough polycarbonate housing can withstand the severest of knocks.

Installation

- For use in areas where temperature or environmental conditions exceed the operating range of fire strobe signalling devices.
- Polycarbonate tested -40°C (-40°F) to 121°C (250°F).

Options

- 240 VAC heater units cycle as required to maintain the correct range of operating temperatures.
- Maintains operating strobe appliance temperature with external temperatures to -57°C (-70°F).
- Enclosed back box maintains the heat and weatherproof integrity.
- Other models are available within this range including an 110V and weatherproof option.

STI Environmental Enclosures for Strobes

Dimensions and Technical Information

MODELS AVAILABLE

- STI-1229HTR** NEMA 4X Heated environmental enclosures for strobes
STI-1229HTR-HAZ NEMA 4X Heated environmental enclosures for strobes with UL hazardous listing
STI-1229HTR240 Stopper Dome Heated Enclosure for Strobe Only Type 4X
STI-1229HTR240-HAZ Stopper Dome Heated Enclosure for Strobe Only Type 4X Hazardous Locations
STI-HK2A Field replacement kit for STI-1229HTR

APPROVALS

It has been tested and approved or listed by:
 UL and cUL, NEMA 4X, and UL 50 File S7025
 UL and ULC Hazardous file E228169 NEMA 4X

STROBES LISTED FOR USE WITH STI-1229HTR

MANUFACTURER	SERIES	LIGHT LOSS
EDWARDS	Genesis	20 %
WHELOCK	RSS-24MCW	31 %
FARADAY	2700 Series	33 %
SIEMENS	Adapter	33 %
EDWARDS	Integrity	34 %
SYSTEM SENSOR	SpectrAlert Series	35 %
AMSECO	Select-A-Strobe	36 %
GENTEX	Commander Series	36 %
DETECTION SYSTEMS	GES-24-15'75	37 %
HARRINGTON SIGNALS	SSG1-15/75	37 %
NATIONAL TIME & SIGNALS	SG-C2NS1575	37 %
SECUTRON	MRL-ST2-1575	37 %

STROBES LISTED FOR USE WITH STI-1229HTR-HAZ

MANUFACTURER	SERIES	LIGHT LOSS
FARADAY	2700 Series	33 %
SYSTEM SENSOR	SS24110ADA	35 %
AMESCO	SL24W-153075	36 %
GENTEX	GES24-15/75 May be followed by a "W", "R" or "P"	36 %

STI-1229HTR SPECIFICATIONS

Polycarbonate Enclosure UL-50:

Flammability:	UL94 V-2
Wall thickness:	5.1mm (0.2in)
NEMA rating:	4X, indoor and outdoor use
Hazardous rating:	Class II groups F&G Div. 2 and Class III locations
Warranty: Three year guarantee against breakages in normal use	

Polycarbonate back box:

Wall thickness:	5.1mm (0.2in)
Bottom thickness:	3.175mm (0.125in)

Silicone laminate heaters:

110 VAC 50/60 Hz	UL recognized component
100 watts (2 @ 50 watts)	N/A
Life: @ -10°C (14°F) to 70°C (158°F)	5 years
Duty Cycle: -40°C (-40°F) to -57°C (-70°F)	Class II groups F&G Div. 2 and Class III locations

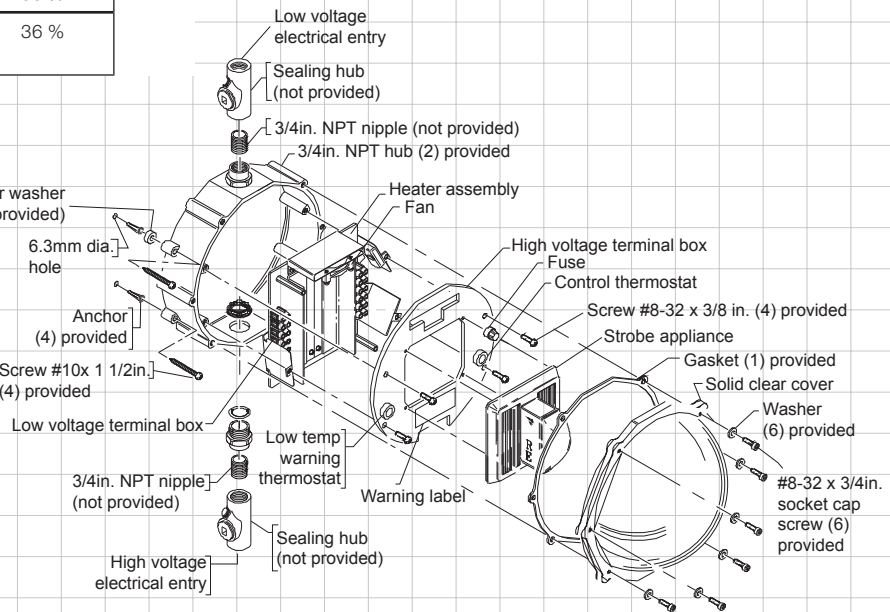
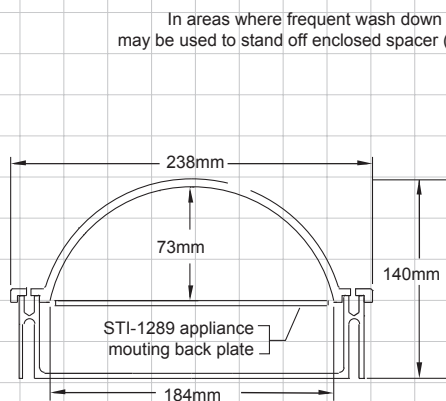
Fan:

24 VDC, 90 mA	UL recognized component
Life:	5 years continuous duty

!! WARNING: The polarity of the circulating fan is important as it only rotates in one direction with red lead being positive.

Gasket:

Material:	Neoprene
Life:	5 years



Safety Technology International

Taylor House
 34 Sherwood Road
 Bromsgrove
 Worcestershire
 B60 3DR, England

Tel: +44 (0)1527 520 999
 Fax: +44 (0)1527 501 999
 info@sti-emea.com
 www.sti-emea.com

2306 Airport Road
 Waterford, Michigan
 48327, USA

Tel: 248-673-9898
 Fax: 248-673-1246
 Toll-free: 0800-888-4784
 info@sti-usa.com
 www.sti-usa.com