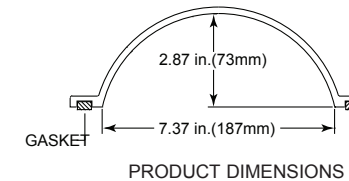
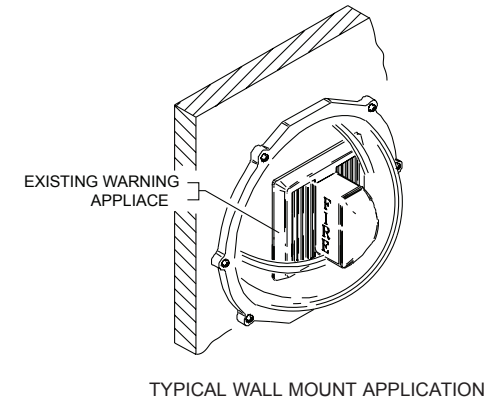


TYPICAL CEILING MOUNT APPLICATION



INSTALLATION NOTES

1. To minimize strobe light loss, regardless of the type of horn/strobe appliance used, the clear section (not the section containing the cutout slots) must be centered over the strobe light lens. Failure to follow these instructions may lead to light loss transmission.
2. Stopper Dome must be installed to comply with applicable NEC, NFPA and local codes.
3. Stopper Dome may be installed outdoors when appliance carries an outdoor rating.

INSTALLATION INSTRUCTIONS - REFER TO EXPLODED VIEW

1. Using cover as a template, place against mounting surface at proper location according to NFPA 72.
2. Mark and drill (6) holes 3/16 in. (4.7mm) diameter, 1 1/4 in. (32mm) deep.
3. Insert the (6) anchors into the wall.
4. Install horn/strobe appliance.
5. Install cover with washers and screws.
6. Test appliance according to appliance manufacturer's instructions.

CLEANING INSTRUCTIONS

Rinse with water to remove abrasive dust and dirt. Wash with soap or mild detergent, using a soft cloth (do not scrub). Rinse once more then dry with a soft cloth or chamois. To remove grease or wet paint, rub gently with a cloth wetted with naphtha. Then wash and rinse. DO NOT USE RAZOR BLADES.



**INSTALLATION OF STI-1215 STOPPER® DOME FOR HORN/SPEAKER/STROBE FLUSH MOUNT
AND STI-1225 STOPPER® DOME FOR STROBE FLUSH MOUNT**

All specifications and information shown were current as of publications, and are subject to change without notice

1225-15IS FEB2017



UL INSTALLATION REQUIREMENTS STI DOME SERIES

CAUTION:

- The enclosure is rated to protect signaling appliances indoors and in areas of indirect weather exposure. The cover may be used outdoors only with devices also suitable for outdoor use.
- When covering fire-signaling appliances with this enclosure, some light and sound loss occurs. Please follow the guidelines listed during installation.
- Strobe light loss values for respective manufacturers are shown below. To determine the new composite candela value for use with this guard refer to the sample calculation shown below for a manufacturer's strobe.
- Example: Record the manufacturer's candela value as "A" and the light loss value as "B" and the assembly value as "C". For example "Sample Company" has a 60 candela strobe with a 30% light transmission loss value. Value "A" is now 60. Value "B" is (60 times 30% or 0.30) in this case 18. Now value "C" equals value "A" minus value "B" or 60-18 = 42 candela light source. Now refer to NFPA tables for proper room size that the newly established value "C" will work in. Submittal installation drawings must show the composite candela value as 42.
- On a dual value strobe such as 15/75 a calculation must be done for each value and the drawing notation composite value for each number on the strobe.

Performance Review - LIGHT DERATING FACTOR

Manufacturer	Series	STI-1215/ 1217/1219	STI-1225/ 1227/1229	Manufacturer	Series	STI-1215/ 1217/1219	STI-1225/ 1227/1229
ADT SECURITY	ADTG1-V Series	20%	32%	HONEYWELL	XLS202 Series	33%	34%+
AMSECO	SL24W-153075	22%	37%+	HONEYWELL	XLSG1-HV Series	20%	32%+
AMSECO – COLORED LENSES	SL24W-15307 A,B,G or R	22%	37%+	HONEYWELL	XLSG1-HOV Series	20%	37%+
AMSECO – COLORED LENSES	SL24C-15307 A,B,G or R	22%	37%+	MIRCOM	FS-240	22%	37%+
AMSECO – COLORED LENSES	CSL24W-A, B,G or R	22%	37%+	MIRCOM	MS Series	33%	34%+
AMSECO – COLORED LENSES	CSL24C-A, B,G or R	22%	37%+	MIRCOM	MG1-V Series	20%	32%+
DETECTION SYSTEMS	GES24 Series	27%	37%+	MIRCOM	MG1-HV Series	20%	32%+
DETECTION SYSTEMS	GES24-15/75	27%	37%+	MIRCOM	MG1-HOV Series	20%	32%+
EST/EDWARDS	2440S Series	33%	34%+	MIRTONE	MG1-V Series	20%	32%+
EST/EDWARDS	202 Series	33%	34%+	NATIONAL TIME&SIGNAL	GES24 Series	27%	37%+
EST/EDWARDS	G1-V Series	20%	32%+	NATIONAL TIME&SIGNAL	GES24-15/75	27%	37%+
EST/EDWARDS	G1-HV Series	20%	32%+	POTTER ELECTRIC	AS-24-153075R	22%	37%+
EST/EDWARDS	G1-HOV Series	20%	32%+	POTTER ELECTRIC	AS-24-153075W	22%	37%+
EST/EDWARDS	EG1-V Series	20%	32%+	SECUTRON	GES24 Series	27%	37%+
EST/EDWARDS	EG1-HV Series	20%	32%+	SECUTRON	GES24-15/75	27%	37%+
EST/EDWARDS	EG1-HOV Series	20%	32%+	SIEMENS	202 Series	33%	34%+
FARADAY LLC	2700	23%	33%+	SIEMENS	G1-V Series	20%	32%+
GETEX	GES24 Series	27%	37%+	SIEMENS	U-MCS Series	23%	33%+
GENTEX	GES24-15/75	27%	37%+	SYSTEM SENSOR	SS24110ADA	26%	36%+
HARRINGTON SIGNAL	GES24 Series	27%	37%+	SYSTEM SENSOR	P2,PC2,P4,PC4,SX,SC	39%	28%
HARRINGTON SIGNAL	GES24-15/75	27%	37%+	WHEELLOCK	RSS-24MCW	34%	31%
HONEYWELL	XLSG1-V Series	20%	32%+	WHEELLOCK	RSS-24MCC	36%	35%
				ZITON PTY LTD	ZG1-V Series	20%	32%+

+ Indicates notification appliance can also be used with STI Heater Domes models STI-1229HTR or STI-1229HTR240

SOUND DERATING FACTOR for STI-1215, STI-1217, STI-1219
 HORNS: Amseco Audible Horn Sounders: 6.2 dBA; System Sensor: 3.1 dBA
 SPEAKERS: Siemens Adapter Series (0.5, 1, or 2 watt taps only): 4.1 dBA