

STI Stopper II®



PRODUCT OVERVIEW

Larger cover helps prevent malicious or accidental false fire alarms. The Stopper II is a unique device which has helped prevent false fire alarms around the world for more than 30 years, without restricting legitimate operation of devices such as fire alarm break glass call points. It is ideal for schools, colleges, hospitals, nursing homes, hotels and all public buildings where there is a history or a threat of false fire alarms.

HOW IT WORKS

The Stopper II consists of a clear, tamperproof, tough polycarbonate cover and frame that retrofits over the break glass call point. When lifted to gain access to the break glass, its optional battery powered integral sounder emits a piercing 95 dB or 105 dB (at 1 metre). Immediate attention is drawn to the area and the prankster will either run or be caught.

KEY FEATURES

General Information

- Larger cover helps prevent malicious or accidental false fire alarms.
- Three year guarantee against breakage of polycarbonate in normal use (one year on electromechanical and electronic components).

Design

- Prevents false fire alarms without hindering legitimate operation of a manual call point in the event of an emergency.

Construction

- Tough polycarbonate housing can withstand the severest of knocks.

Installation

- A simple 4 fixing installation can retrofit over existing device.
- Can accommodate flush or surface mounted applications.
- Typical working properties of polycarbonate are -40°C to 121°C (-40° to 250°F)

Options

- Available with or without a 95 dB integral sounder, powered by a 9V PP3 battery (included).
- Optional 12-24 VDC powered units.
- Custom labelling available.



STI Stopper II®

Dimensions and Technical Information

MODELS AVAILABLE

- STI-1200** Stopper II flush mount without integral sounder
- STI-1230** Stopper II surface mount (50mm spacer) without integral sounder
- STI-1100** Stopper II flush mount with integral sounder
- STI-1130** Stopper II surface mount (50mm spacer) with integral sounder
- STI-1200A** Stopper II with 4 inch deep enclosed back box
- STI-1200A-HTR** Stopper II Heated Enclosure with 4" Deep Back Box 110 VAC
- STI-1200A-HTR240** Stopper II Heated Enclosure with 4" Deep Back Box 240 VAC

Text Options:

Standard Text: IN CASE OF FIRE - LIFT COVER / ACTIVATE FIRE ALARM

Add -BREAK for: IN CASE OF FIRE - LIFT COVER / BREAK GLASS

Add -PULL for: IN CASE OF FIRE - LIFT COVER / PULL FIRE ALARM

Accessories:

- STI-3100** 50mm spacer (supplied with STI-1130 & STI-1230)
- STI-1280** Backplate (for irregular surfaces)
- STI-HK3** Replacement heater

APPROVALS

STI-1200, STI-1230, STI-1100 & STI-1130

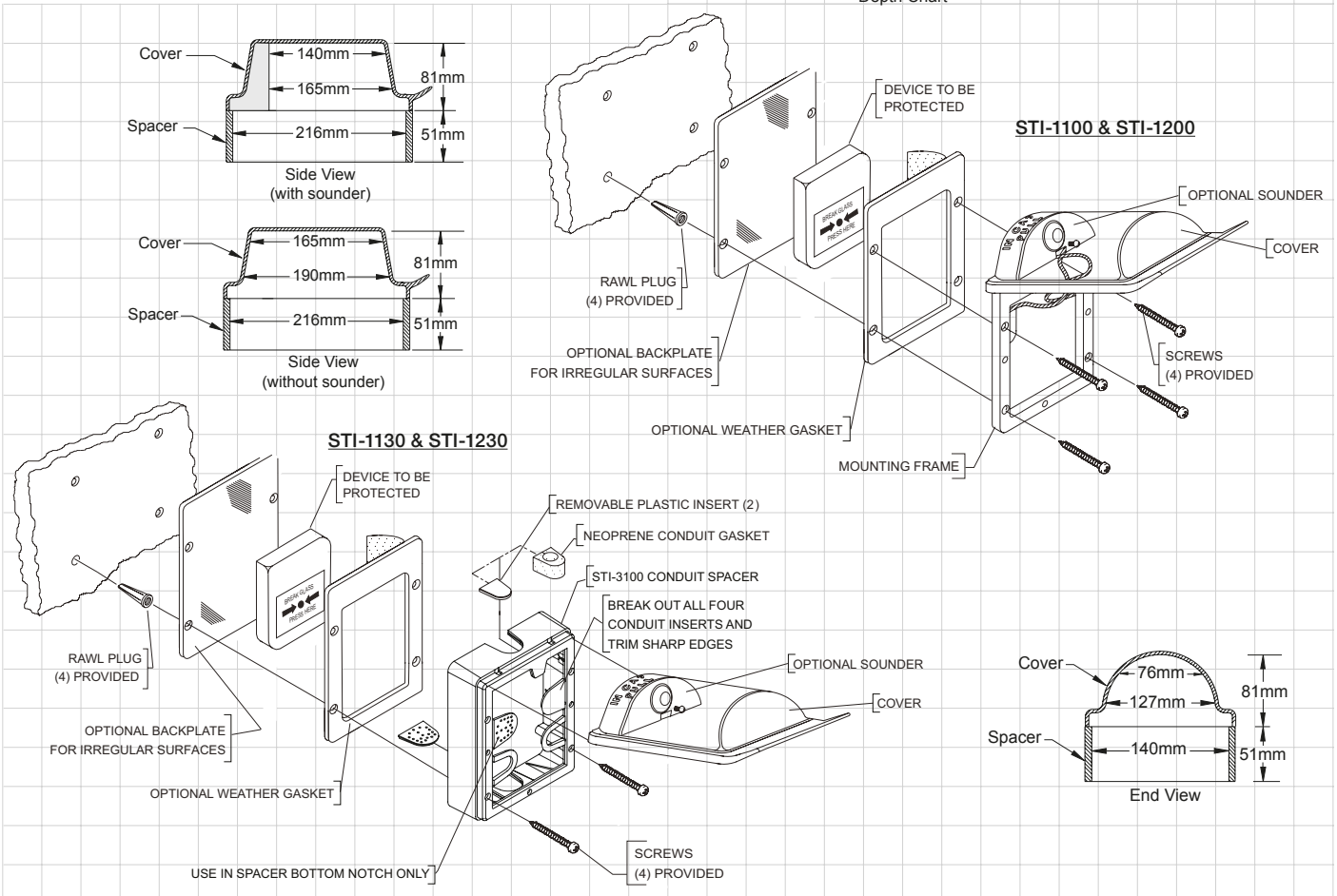
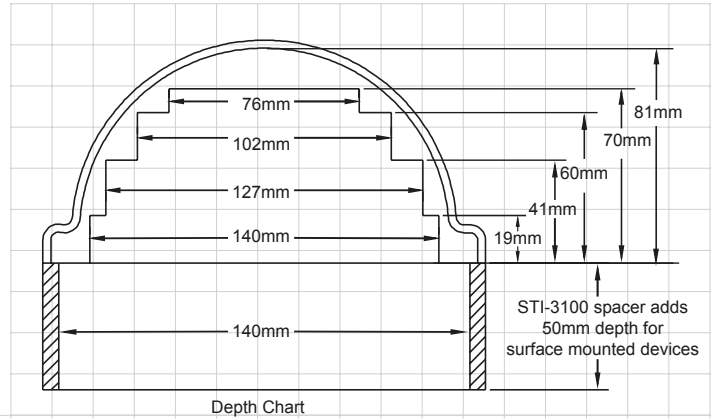
It has been tested and approved or listed by:

- UL/cUL Listed No. S2466
- For fire alarm applications, UL38 requires outdoor listed stations for outdoor use.
- Flush models ADA compliant. Surface models ADA compliant for operation (UL certified No. S2466.)
- Weather models designed to meet the requirements of IP54.
- The indoor/outdoor rated station covers, when mounted on a smooth surface, provide a rain tight seal similar to a 3R enclosure rating.

STI-1200A-HTR & STI-1200A-HTR240

It has been tested and approved or listed by:

- UL/cUL Listed S2466 (requires outdoor rated station)



Safety Technology International

Taylor House
34 Sherwood Road
Bromsgrove
Worcestershire
B60 3DR, England

Tel: +44 (0)1527 520 999
Fax: +44 (0)1527 501 999
info@sti-emea.com
www.sti-emea.com

2306 Airport Road
Waterford, Michigan
48327, USA

Tel: 248-673-9898
Fax: 248-673-1246
Toll-free: 0800-888-4784
info@sti-usa.com
www.sti-usa.com